

CR-7033AC LED Emergency Light

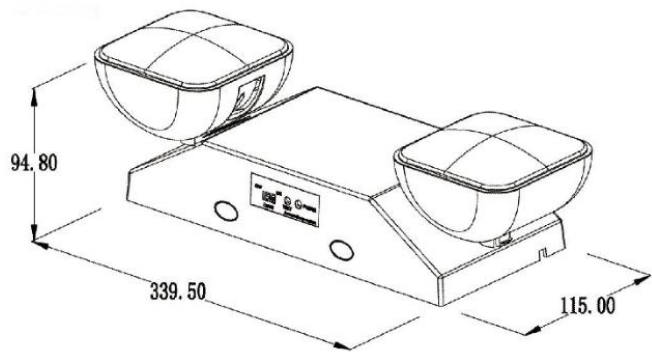


FEATURES & BENEFITS

- 2 X 1.2W fully adjustable lamp heads
- Wall and ceiling mounting
- Suitable for Damp Locations

SPECIFICATIONS

Illumination: 2 X 1.2W LED total 2.4W
Housing: Injection-molded ABS housing
Input Voltage: 100/277VAC 50/60Hz
Input Rating: 2.5W, 32mA
Battery: Maintenance-free 3.6V NiCad battery
Operating Temperature: 0°C to 40°C (32°F to 104°F)
Charging time: 24 hours
Discharge time: 180 minutes
Mounting: Wall and ceiling
Finish: White
Dimension: 339.5*115*94.8mm
Certifications: Meets NFPA 101 Life Safety Code, NEC, OSHA
California Energy Commission (CEC) Title 20 Compliant



ORDER INFORMATION

Model	Voltage	Power	Discharge Time	Certificate
CR-7033AC	100/277V	2.4W	180 minutes	UL