

## T8 LED Meat Tube Light Pink

Enhances the display of meat products

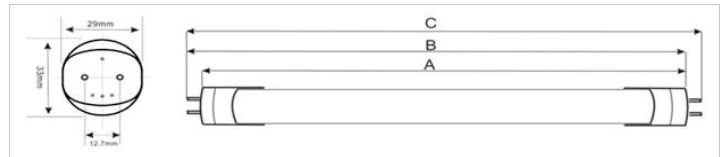
- High quality Aluminium body with excellent heat dissipation
- Double end or single end in one tube
- Plug and Play, No Rewiring
- Universal lamps work with existing ballast
- Tubes are rated at 50,000hours life
- Environmentally friendly without mercury



### Specification

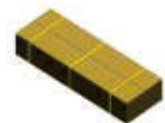
Input Voltage	AC100-277V
LED Chip	SMD2835 Pass LM-80
PF	0.9
CRI	>80
CCT	PINK
Base Type	G13
Viewing Angle	180°
THD	< 20%
Dimmable	No
Material	Aluminum+PC
Operation Temperature	-68 - 122 °F
Environment	Dry, Damp
Rated Lifetime	50,000 hours

### Dimension



LED TUBE	2FT G13 (Bi-Pin)	4FT G13 (Bi-Pin)
Length Top to Top	23.74 inch	47.16inch
Diameter	1.19 inch	1.19 inch

### Packing



Dimension	PCS/CTN	Carton Dimension	Net Weight	Gross Weight
4FT	25	48.60x7.28x7.28inch	11.02lbs	13.55lbs

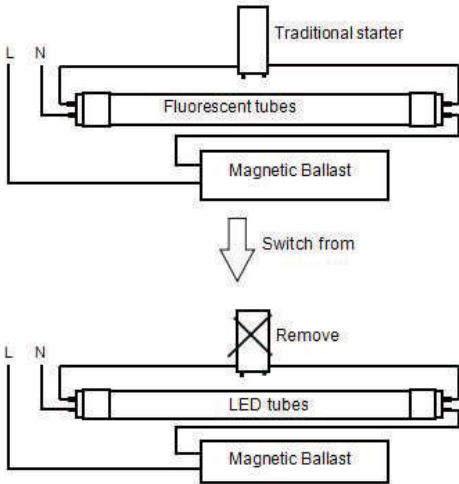
## Installation Guide

### Type A -- Replacement for magnetic ballast & electronic ballast fluorescent lamps

#### Magnetic ballast

professional installation is required

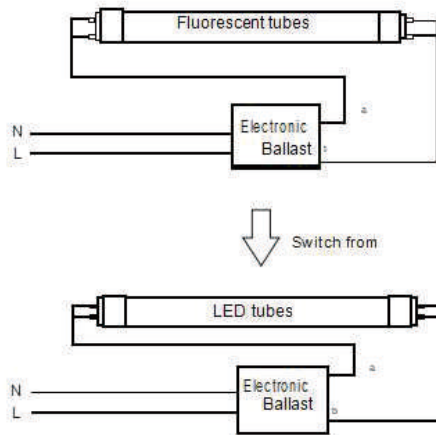
- 1: Turn off power before installation
- 2: Remove the traditional starter
- 3: Replace traditional fluorescent tube with LED tube
- 4: Switch on electricity and check for lamp starting



#### Electronic ballast

professional installation is required

- 1: Turn off power before installation
- 2: Replace traditional fluorescent tube with LED tube
- 3: Switch on electricity and check for lamp starting



### Type B -- Replacement for bypass ballast fluorescent lamps

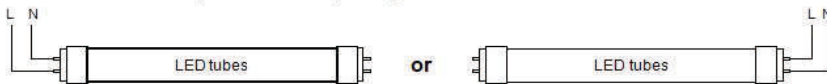
#### Installation Steps

- 1: Turn off power before installation
- 2: Cut the wire and bypass ballast

- 3: Hookup line wires to Tombstone wires as a direct power
- 4: 2. Replacement for bypass ballast

#### fluorescent lamps (Type B)

- 5: Stick the warning label
- 5: Switch on electricity and check for lamp starting



Warning: All fixture have to change with new tombstone when apply for plug and play tube.

## Application

Delicatessens, Butchers, Supermarkets etc.

