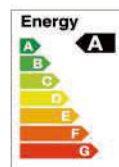
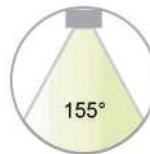


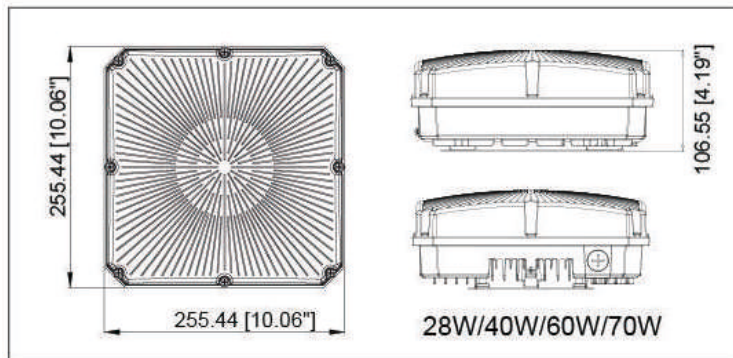
# LED GARAGE CANOPY



## Features

- 1.This garage lamp is a special design for application in places like parking garage,car port, driveway,underpass,etc;
- 2.Fins design,advective grooves between fins are good for heat dissipation;
- 3.Professional light distribution technique,high light reflectivity reflectors,155° beam angle available;Light transmission rate of lens is over 90%;
- 4.It complies with UL certification,safe and reliable.

## Product Dimension



## Lighting Parameters

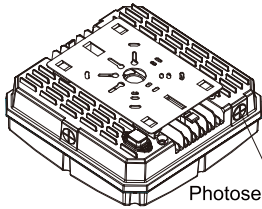
Model Number	TS-GCP1070-70W-G-TCP-(xx)
Working Voltage	AC120-277V
CCT	3000K-4000K-5000K
Power	28/40/60W / 40/60/70W
Lamp Bead Model	LUMILEDS
Lighting Efficiency	120LM/W
Color Rendering Index	Ra > 80
Operating Temperature	-40°F~104°F
Storage Temperature	-40°F~158°F
Environment Location	Wet Location
Life span	≥50000H
Lamp shell	Brown
Accessories options	No sensor function, Photocontrol, Microwave sensor

□TCP□ = CCT adjustable/POWER adjustable ,CCT:30K/40K/50K/POWER:40W/60W/70W  
 (XX) can be blank = no sensor function, □MS□ = Microwave sensor, □PT□ = Photocontrol

## Installation Instruction

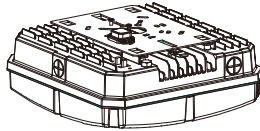
### Step of adjusting color, temperature and power

1. Place the fitting face up.

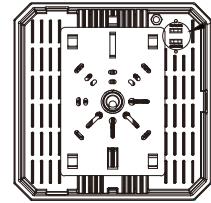


Photosensitive position  
(Transparent plug)

2. Use a screwdriver to remove the screws from the switch box cover and remove the switch box cover.



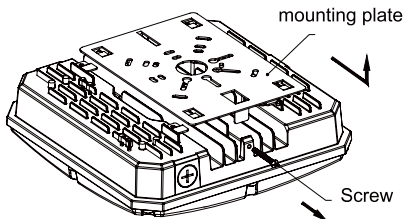
3. According to the requirements of the color temperature and power switch to the designated location.



30k/40k/50k  
40w/60w/70w

### Installation method I : Ceiling Installation

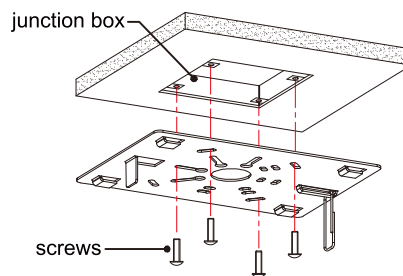
1. Loosen the screw to take off the mounting plate from the lamp.



mounting plate

Screw

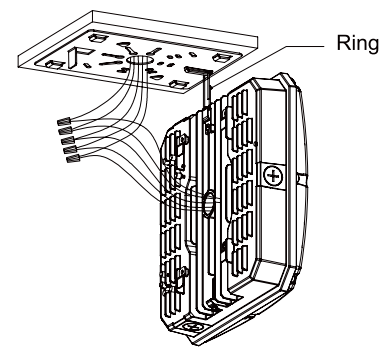
2. Use screws to lock the mounting plate on the embedded junction box.



junction box

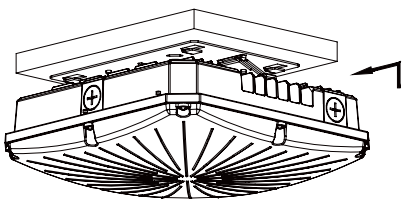
screws

3. Hang the lamp on the ring so as to connect wires with terminal caps.

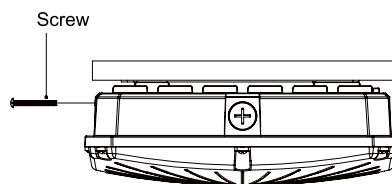


Ring

4. Hook up lamp on the mounting plate .



5. Secure the screw. Installation completed.



Screw

Input/Dimmer      Lamp

Green ———○——— Green

White ———○——— White

Black ———○——— Black

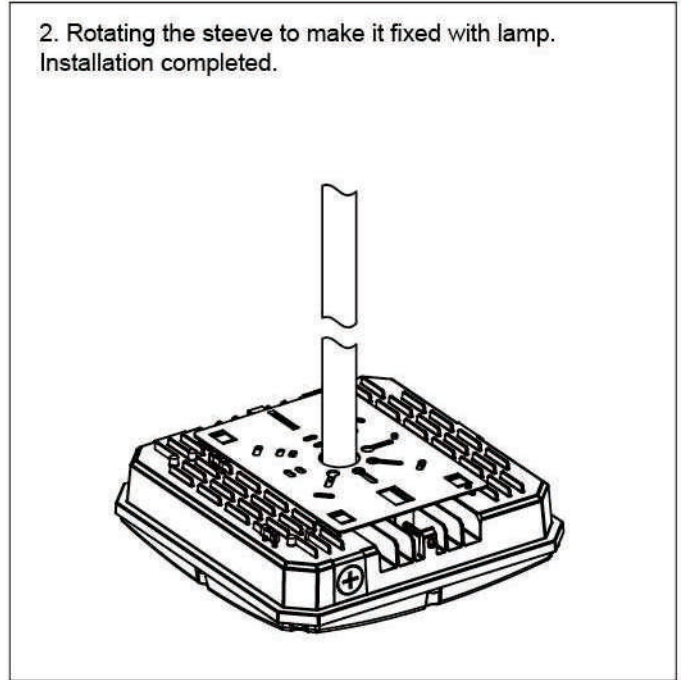
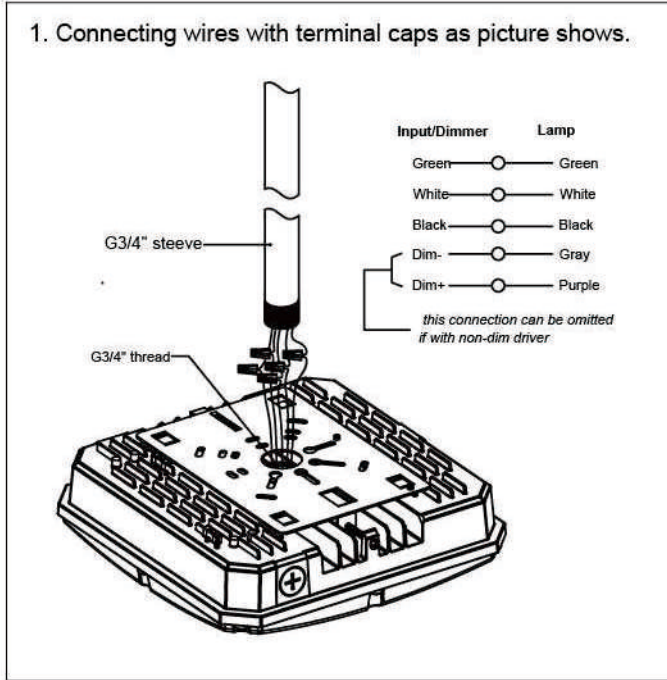
Dim- ———○——— Gray

Dim+ ———○——— Purple

*this connection can be omitted if with non-dim driver*

## Installation Instruction

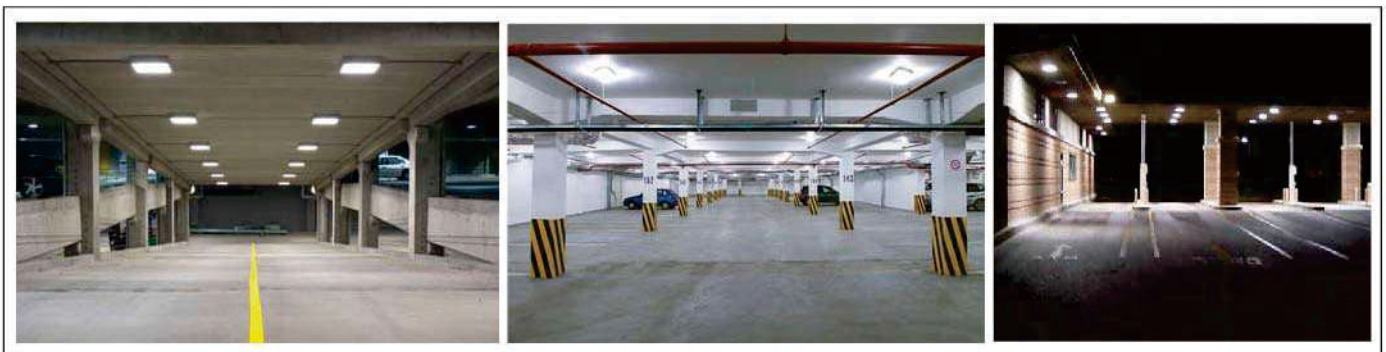
### Pole-pendant Installation



## Packing information

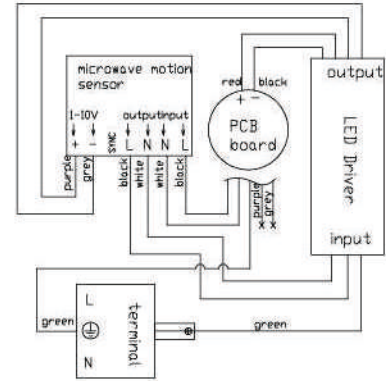
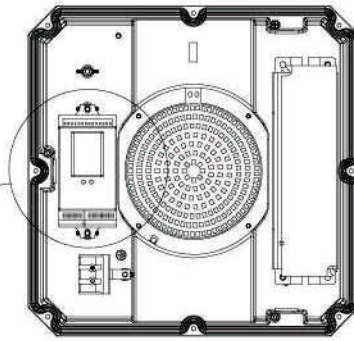
Power (Size)	Innter box (L*W*H)	Outer box (L*W*H)	Qty/Ctn (pcs)	N.W./Ctn (kg/lbs)	G.W./Ctn (kg/lbs)
10 inch 28W/40W	11.89''*5.51''*11.6''	23.03''*12.48''*12.4''	4	9.67/21.32	10.67/23.52
10 inch 60W/70W	302*140*295mm	585*317*315mm	4	10.90/24.02	11.87/26.16

## Applications

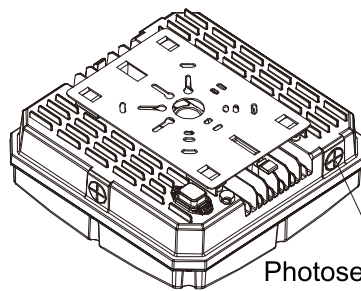




## Microwave Motion Sensor



## Photoelectric Switch



Photosensitive position  
(Transparent plug)

## Cautions

1. Only persons qualified for electrical work should carry out electrical work.
2. All wiring should be performed after shutting off electricity or power to the lighting fixture.
3. Do Not disassemble or modify the LED CANOPY LIGHT.
4. Do Not drop the LED CANOPY LIGHT. Take precautions to ensure the LED CANOPY LIGHT does not experience any strong impact.
5. Keep this product Manual in a safe place for reference.
6. The manufacturer and/or the seller will not be held responsible for any damage caused to the LED CANOPY LIGHT by the user(s) during installation .
7. Be sure to ground the fixture.
8. Do Not Handle lamps soon after the light has been turned off.
9. Do Not use theLED CANOPY LIGHT near heating appliances/elements.