

## Surface Mounted LED TUBE Series ETL DLC Premium Listed

Integrated (Built-in) LED tube with 270°V-shape design



### Specification:

- ✧ Light source: SMD2835 LED
- ✧ Input: AC100 ~ 277V
- ✧ Frequency: 50HZ/60HZ
- ✧ Light Efficiency: 120~130lm/w
- ✧ Color Temperature: 3000K-6000K
- ✧ CRI: 80
- ✧ PF>0.95
- ✧ THD:  $\leq 20\%$
- ✧ Beam Angle: 270°
- ✧ Material: Aluminum+PC cover
- ✧ Working temperature: -30°C to 65°C

### Features:

- Good heat dissipation with Aluminum heat sink
- High energy efficiency, over 60% energy saving VS fluorescent
- V Shape design, 270°wide beam angle
- Built-in driver, PF>0.95
- Easy link base: connection in series
- 50000 hours Long lifespan
- Environmentally friendly without mercury;



### Connection:



### Application:

Supermarket / Subway / Office / Shopping Mall / Hotel / Hospital / School / Showroom / Warehouse / Garage



## Parameter

Part No	Power	Length	Input	Clear cover	Lumen	Max Connection (@ 120VAC)	Max Connection (@ 220-277VAC)
ZS-T8-18P2FT(XXXXK)-X	18w	2FT	AC100-277V	130 lm/w	2340LM	16 pcs	33 pcs
ZS-T8-30P4FT-INT(XXXXK)-X	30w	4FT	AC100-277V	130 lm/w	3900LM	10 pcs	20 pcs
ZS-T8-36P4FT-INT(XXXXK)-X	36w	4FT	AC100-277V	130 lm/w	4680LM	8 pcs	16 pcs
ZS-T8-60P8FT-INT(XXXXK)-X	60w	8FT	AC100-277V	130 lm/w	7600LM	5 pcs	10 pcs
ZS-T8-72P8FT-INT(XXXXK)-X	72w	8FT	AC100-277V	130 lm/w	9360LM	4 pcs	8 pcs

### Noted:

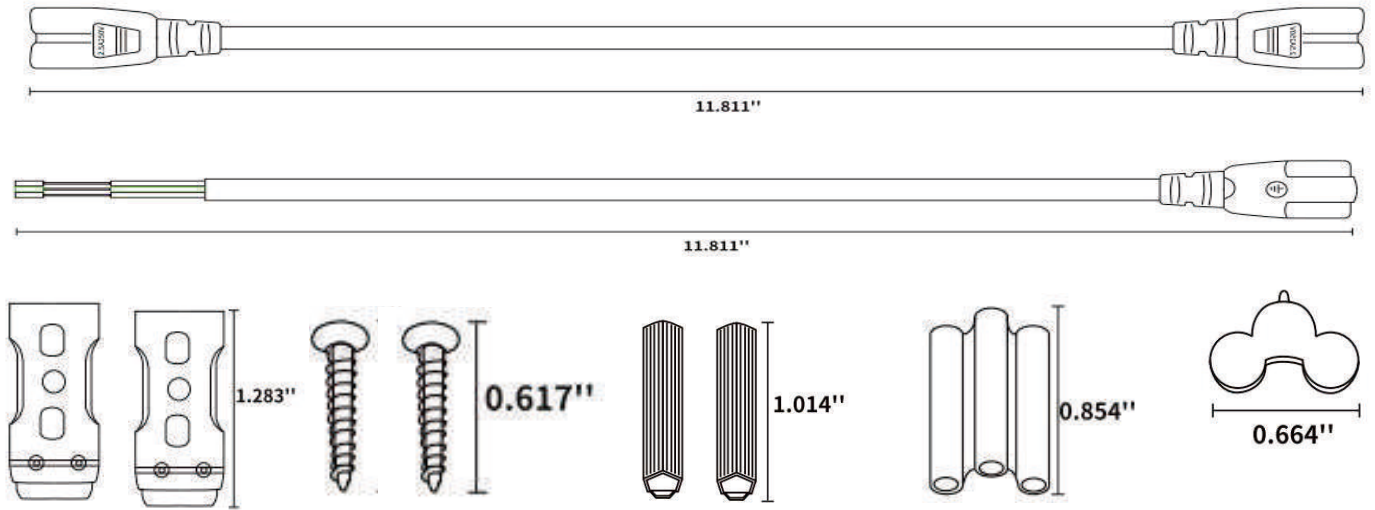
- For application:
  - First "XXXXK" stands for different CCT, can be 3000K, 3500K, 4000K, 4500K, 5000K, 5700K, 6000K, 6500K;
  - Second "X" can be F, C, S (F=FROST, C=CLEAR, S=STRIPY), stands for different lens.



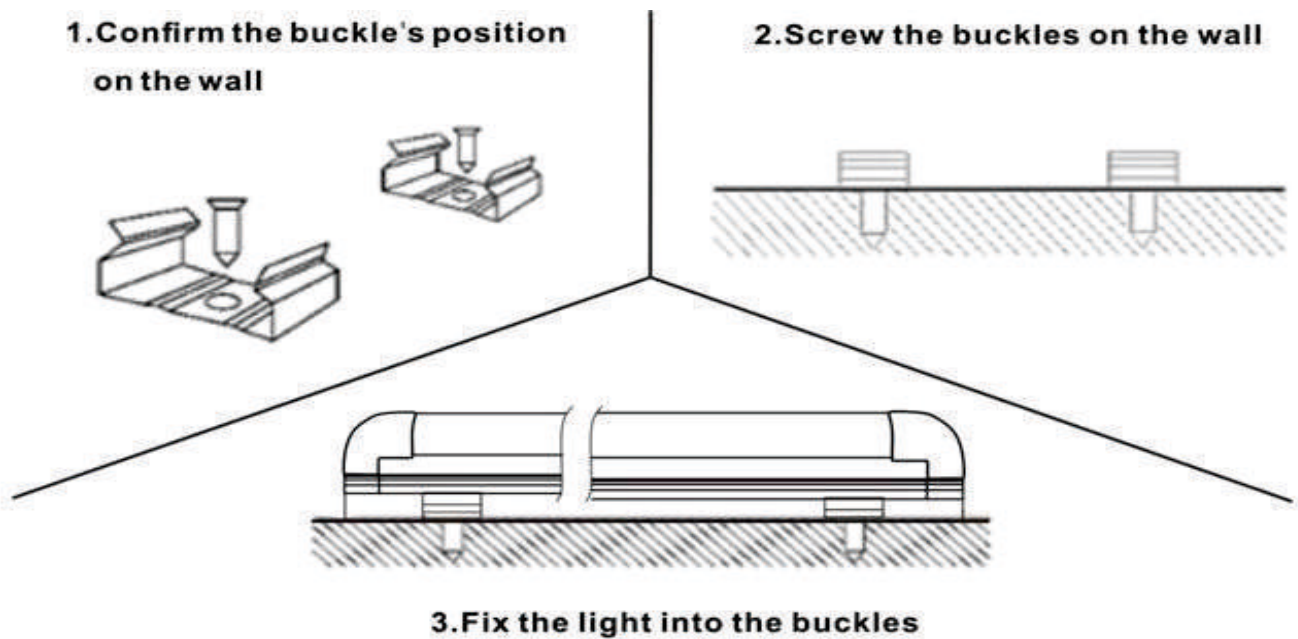
Maximum Dimension	A	B	C
2FT	23.43 inch	1.38 inch	1.30 inch
4FT	Lighting Source Group	1.38 inch	1.30 inch
8FT	93.50 inch	1.38 inch	1.30 inch

## Installation Guide for Integrated tube

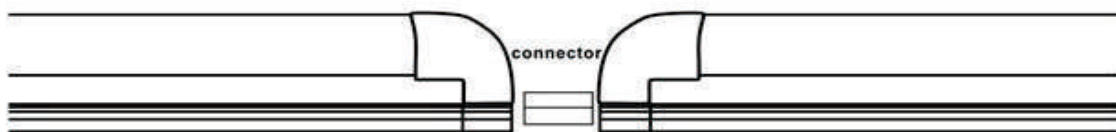
1. Standard accessories included as below:



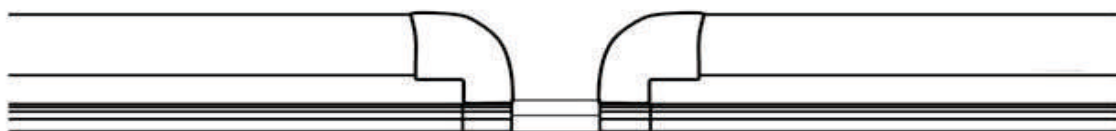
2. Installation instruction:



### Connection Installation



1. Please find the connector in the accessories bag.



2. Plug the connector into the tube.

## Packing



Tube Length	Carton Size L*W*H ( mm )	Carton Size L*W*H ( Inch )	G.W/Piece ( LB )	G.W/CTN ( LB )	PCS/CTN
2FT	650x430x250	25.59x16.93x9.84	0.44	25.35	50
4FT	1260x430x250	49.60x16.93x9.84	0.77	48.06	50
8FT	2440x220x210	96.06x8.66x8.27	1.54	39.02	20
4FT with Pallet	3*7 layers=21 cartons*50 pcs/carton=1050 PCS in total			Dimension: 49.6*49.6*74.8 inch	
8FT with Pallet	5*6 layers=30 cartons*20 pcs/carton=600 PCS in total			Dimension: 95.7*43.3*53.5 inch	