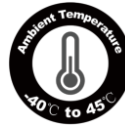




2'/4'/8' length available



Top features

- Luminous part integrated.
- 5VA housing, the highest classification in UL94 Standard.
- Field-adjustable power and CCT available.
- Sensor and EM solution ready¹⁾.

Benefits You Need

- Thanks to 5VA housing, wires can be connected directly inside the housing, requiring no junction box or silicone sleeving.
- Additional control from plug and play sensor
- Luminous part is easy to remove, making the fixture installation more time-saving.
- Lens customization available.

Specifications and accessories

UL Listing:

Suitable for wet locations.

UL 94:

5VA flame classification.

LEDs:

Long-life, high-efficacy, micro-power LEDs.

Lifespan:

Lumen Maintenance, L70 > 100,000 hours.

Dimming Driver:

Driver includes dimming control wiring for 0-10V dimming systems. The dim-to-off voltage threshold of optional 12V AUX integrated driver ranges from 0.1V to 0.5V.

Housing and lens:

Light gray Polycarbonate housing with stainless steel latches, frosted Polycarbonate lens.

Operating temp range

-40°C/-40°F to 45°C/113°F when fixture is suspended at least 18" from ceiling.

-40°C/-40°F to 40°C/104°F when fixture is surface mounted.

Mounting:

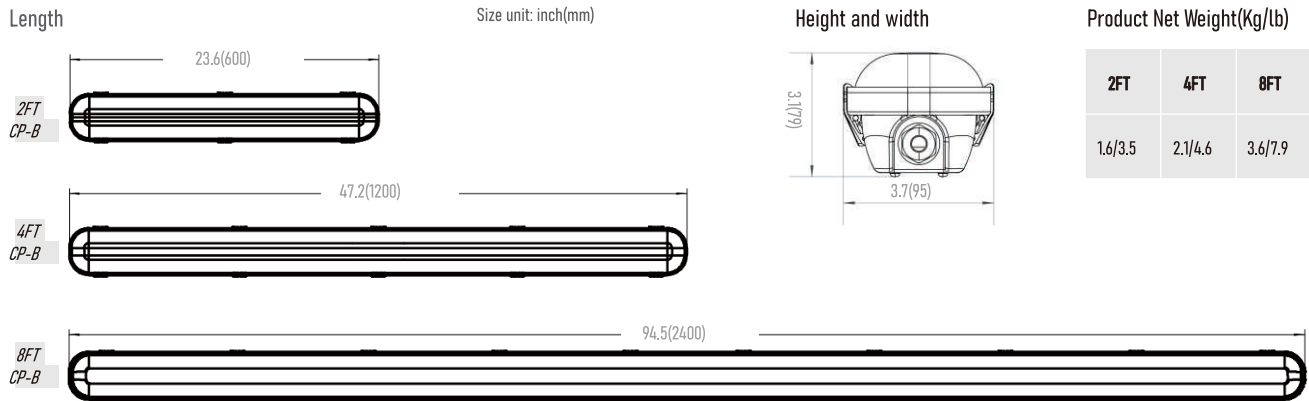
Surface mount (wall, ceiling) with brackets and screws.

Chain or cable suspending mount with brackets and V-hooks.

Accessories:

- Surface mount kit, V-hooks and Waterproof joint included
- Suspension Chain (purchased separately)
- Suspension Cable (purchased separately)

Dimensions



Performance

Product Series	Catalog No.	Length	Input Wattage	Lumens Rated	CCT
Field-adjustable Power and CCT	ETLCP-B-2FT/1L/NG/25/20/15/YDM/CCT 83550 (A3+B7)	2FT	25/20/15	3,250/2,600/1,950	Selectable, 3500K&4000K&5000K
	ETLCP-B-4FT/1L/NN/45/38/34/YDM/CCT 83550 (A3+B7)	4FT	45/38/34	5,850/4,940/4,420	Selectable, 3500K&4000K&5000K
	ETLCP-B-4FT/1L/NN/54/46/38/YDM/CCT 83550 (A3+B7)	4FT	54/46/38	7,020/5,980/4,940	Selectable, 3500K&4000K&5000K
	ETLCP-B-8FT/1L/NN/90/75/65/YDM/CCT 83550 (A3+B7)	8FT	90/75/65	11,700/9,750/8,450	Selectable, 3500K&4000K&5000K

Ordering Information

ORDERING EXAMPLE:

ETLCP-B-4FT/1L/NN/54/46/38/YDM/CCT 83550 (A3+B7)

Product Series	Length	Module Qty.	Module type	Power	Dimming	CCT	Options
ETLCP-B	2FT 4FT 8FT	1L	NG NN (Defined by ET)	25/20/15 45/38/34 54/46/38 90/75/65 (Switchable Power)	YDM 0-10V dimming	CCT 83550 80 CRI 3500K-5000K switchable	120-277 Input voltage 120-347 Optional input voltage A3 Driver code B7 LED code