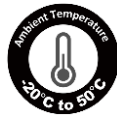
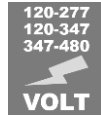




TOP FEATURES

- 11,000 to 54,000 lumens
- 150LPW or 135LPW, DLC 5.1 Premium
- Field-adjustable CCT available
- Sensor and EM solution ready



Specifications and Accessories

UL Listing:

Suitable for damp locations

IESNA LM-79 & LM-80 Testing:

Ever-tie LED luminaires have been tested based on IESNA LM-79 and LM-80 by a third-party laboratory

LEDs:

Long-life, high-efficacy, micro-power LEDs

Lifespan:

Lumen Maintenance, L70 > 100,000 hours

Ambient Operating Temperature:

-20°C/-4°F to 50°C /122°F when fixture is suspended at least 18" from ceiling.

Housing:

Sheet metal stamping

Lens:

PMMA lens

Finish:

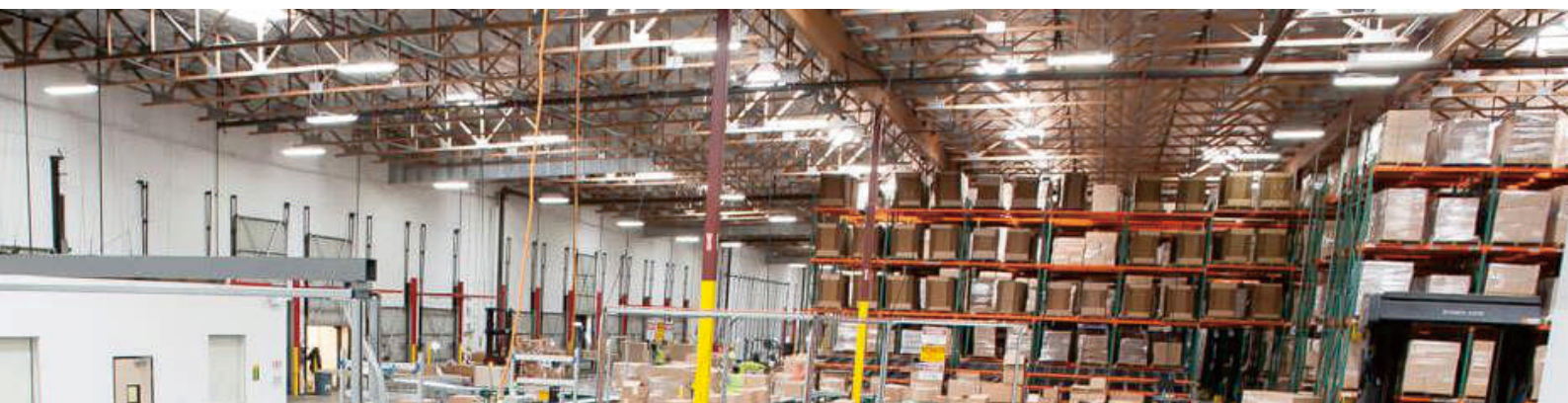
Long lasting white with high durability

Dimming Driver:

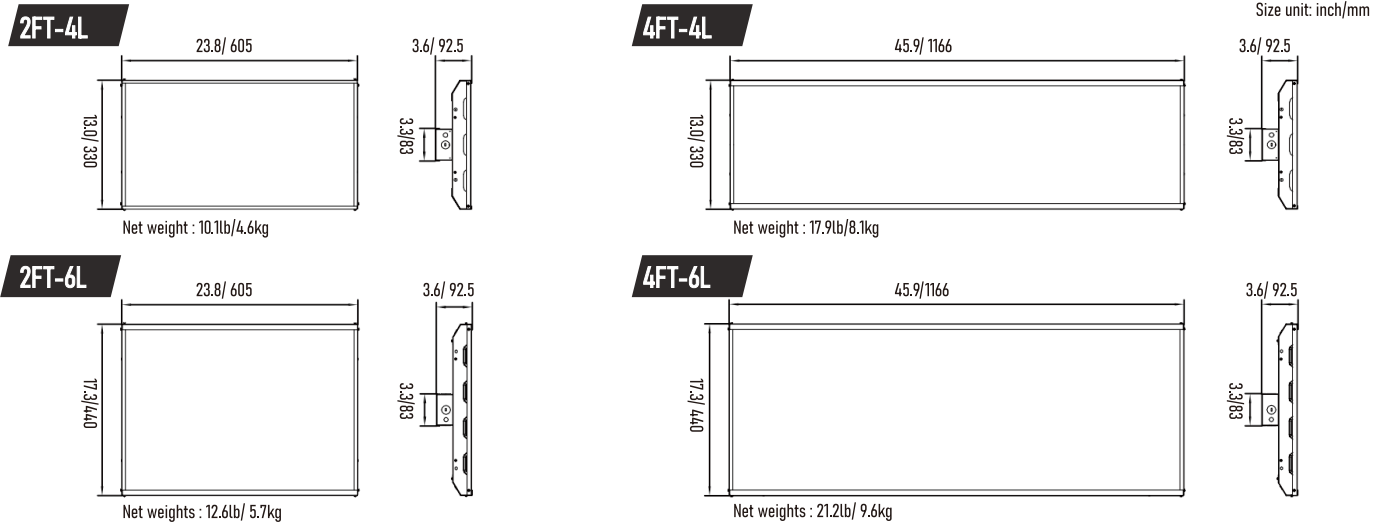
Driver includes dimming control wiring for 0-10V dimming systems. The dim-to-off voltage threshold of optional 12V AUX integrated driver ranges from 0.1V to 0.5V.

Optional Accessories

- V hooks & Chain suspending mount kit
- Cable suspending mount kit
- Surface mount kit
- Pendant hanger installation box
- Wire guards



Dimensions



Performance

DLC 5.1 Premium, 150 LPW							DLC 5.1 Premium, 135 LPW						
Size	Lumen Package	Wattage	4000K		5000K		Size	Lumen Package	Wattage	4000K		5000K	
			Lumens	LPW	Lumens	LPW				Lumens	LPW	Lumens	LPW
2FT-4L	14000LM	92	13800	150	13800	150	2FT-4L	11000LM	85	11475	135	11475	135
	17000LM	115	17250	150	17250	150		14000LM	105	14175	135	14175	135
2FT-6L	23000LM	155	23250	150	23250	150	2FT-6L	21000LM	155	20925	135	20925	135
	28000LM	185	27750	150	27750	150		23000LM	170	22950	135	22950	135
4FT-4L	34000LM	230	34500	150	34500	150	4FT-4L	28000LM	210	28350	135	28350	135
	40000LM	270	40500	150	40500	150		40000LM	300	40500	135	40500	135
4FT-6L	54000LM	360	54000	150	54000	150	4FT-6L	54000LM	400	54000	135	54000	135

Ordering Information

ORDERING EXAMPLE:

ETLB7-2/4/NG/170/FL/8xx/U/AU1/F1/A3/B7/Sx/EMx

Module Product Series/Size	Module Qty.	type	Power	LENS	CCT	Input voltage	12V AUX	Other Items/Options
ETLB7	2	4	170	FL	8xx	U	AU1	F1/A3/B7/Sx/EMx
ETLB7 series high bay	2 2FT 4 4FT	2 3 4	170 270 360 ... Refer to the performance tables	FL FROSTED LENS	840 80 CRI, 4000K 850 80 CRI, 5000K CCT 4000K/ 5000K Switchable	U 120-277 3 120-347 4 347-480	AU1 without 12V AUX AU2 with 12V AUX	F1 10% Flicker A3 Driver code B7 LED code Sx Sensor code EMN NON Battery Backup EMx EM code

Selectable table

Product Series	Size	Catalog No.	Lumens Rated	Watts Rated	LPW
135LPW Fixed Power & CCT(4000K or 5000K)	2FT-4L	ETLB7-2/2/NG/085/FL/8xx/U/AU1/F1/A3/B7/Sx/EMx	11,475	85	135
		ETLB7-2/2/NI/105/FL/8xx/U/AU1/F1/A3/B7/Sx/EMx	14,175	105	135
		ETLB7-2/3/NI/155/FL/8xx/U/AU1/F1/A3/B7/Sx/EMx	20,925	155	135
	2FT-6L	ETLB7-2/4/NG/170/FL/8xx/U/AU1/F1/A3/B7/Sx/EMx	22,950	170	135
		ETLB7-2/4/NI/210/FL/8xx/U/AU1/F1/A3/B7/Sx/EMx	28,350	210	135
	4FT-4L	ETLB7-4/3/NP/300/FL/8xx/U/AU1/F1/A3/B7/Sx/EMx	40,500	300	135
4FT-6L	ETLB7-4/4/NP/400/FL/8xx/U/AU1/F1/A3/B7/Sx/EMx	54,000	400	135	
135LPW Fixed Power, Field- adjustable CCT(4000K/5000 K switchable)	2FT-4L	ETLB7-2/2/NH/085/FL/CCT/U/AU1/F1/A3/B7/Sx/EMx	11,475	85	135
		ETLB7-2/2/NJ/105/FL/CCT/U/AU1/F1/A3/B7/Sx/EMx	14,175	105	135
		ETLB7-2/3/NJ/155/FL/CCT/U/AU1/F1/A3/B7/Sx/EMx	20,925	155	135
	2FT-6L	ETLB7-2/4/NH/170/FL/CCT/U/AU1/F1/A3/B7/Sx/EMx	22,950	170	135
		ETLB7-2/4/NJ/210/FL/CCT/U/AU1/F1/A3/B7/Sx/EMx	28,350	210	135
	4FT-4L	ETLB7-4/2/NN/170/FL/CCT/U/AU1/F1/A3/B7/Sx/EMx	22,950	170	135
		ETLB7-4/2/NR/210/FL/CCT/U/AU1/F1/A3/B7/Sx/EMx	28,350	210	135
		ETLB7-4/3/NR/300/FL/CCT/U/AU1/F1/A3/B7/Sx/EMx	40,500	300	135
	150LPW Fixed Power & CCT(4000K or 5000K)	2FT-4L	ETLB7-2/2/NK/092/FL/8xx/U/AU1/F1/A3/B7/Sx/EMx	13,800	92
ETLB7-2/4/NG/115/FL/8xx/U/AU1/F1/A3/B7/Sx/EMx			17,250	115	150
2FT-6L		ETLB7-2/4/NI/155/FL/8xx/U/AU1/F1/A3/B7/Sx/EMx	23,250	155	150
		ETLB7-2/4/NK/185/FL/8xx/U/AU1/F1/A3/B7/Sx/EMx	27,750	185	150
4FT-4L		ETLB7-4/3/NR/230/FL/8xx/U/AU1/F1/A3/B7/Sx/EMx	34,500	230	150
		ETLB7-4/3/NV/270/FL/8xx/U/AU1/F1/A3/B7/Sx/EMx	40,500	270	150
4FT-6L	ETLB7-4/4/NV/360/FL/8xx/U/AU1/F1/A3/B7/Sx/EMx	54,000	360	150	