

WIRE-IN ELECTRONIC TYPE PHOTO CONTROL

MODEL: LT310A SERIES

TECHNICAL SPECIFICATION

| | |
|-----------------------|--|
| Standard | ANSI C136.24 & UL773A |
| UL File No. | E495385 |
| Rated Volts | 120V-277V (Applicable:105V-305V) |
| Rated Load | 1000W/1800VA |
| Frequency | 50-60 Hz |
| Turn-On Light Levels | 10-16 Lux |
| ON/OFF Ratio | 1:1.5 |
| Time Delay | 3-15 Seconds |
| Operating Temperature | -40°C to +70°C |
| Switch | > 10000 ON/OFF Operations at Rated Load |
| Light Sensor | IR Filter Phototransistor |
| Power Consumption | ≤ 0.7 watts at 120VAC |
| Cable | UL1015 18AWG*16cm |

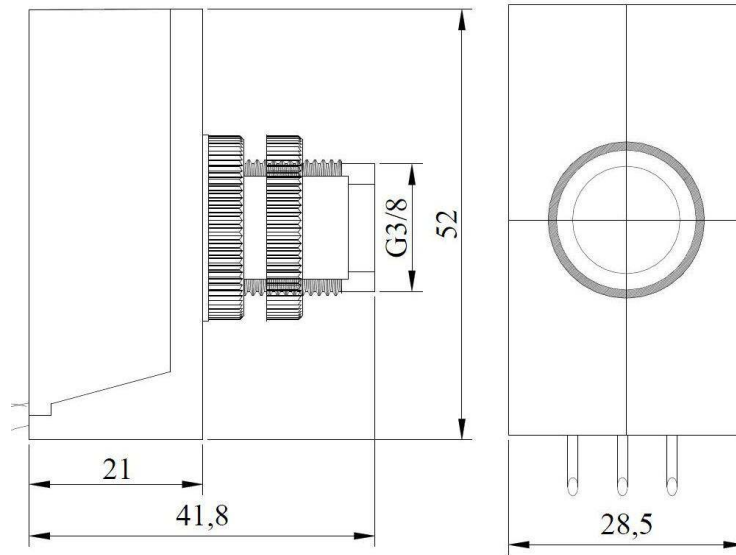


PRODUCT SELECTION INFORMATION

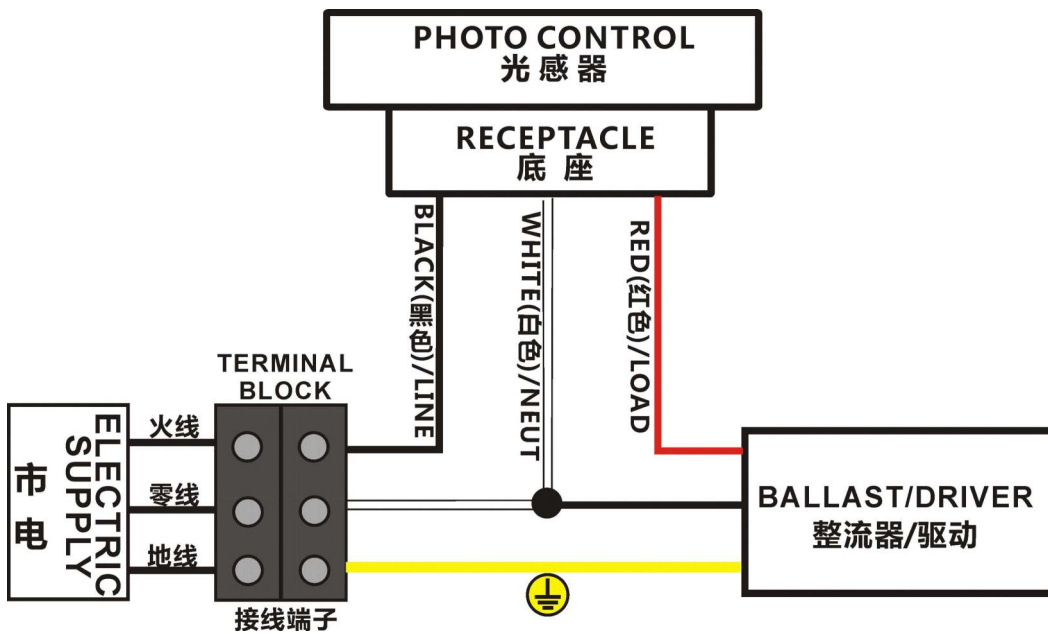
| MODEL | E-BALLAST RATING | ZERO CROSS FUNCTION | FAIL MODE |
|--------|------------------|--|-------------------------------|
| LT310A | 1: 2A 2: 5A | Z: ZERO CROSS BLANK: NONE (*ONLY FOR 5A PRODUCT) | F: Fail Off BLANK: Fail On |

FREQUENTLY ORDERED PART NUMBER: LT310A1F

DIMENSION



WIRING DIAGRAM



WIRE-IN ELECTRONIC TYPE PHOTO CONTROL

MODEL: LT310F SERIES

TECHNICAL SPECIFICATION

| | |
|-----------------------|--|
| Standard | ANSI C136.24 & UL773A |
| UL File No. | E495385 |
| Rated Volts | 120V-277V (Applicable:105V-305V) |
| Rated Load | 1000W/1800VA |
| Frequency | 50-60 Hz |
| Turn-On Light Levels | 10-16 Lux |
| ON/OFF Ratio | 1:1.5 |
| Time Delay | 3-15 Seconds |
| Operating Temperature | -40°C to +70°C |
| Switch | > 10000 ON/OFF Operations at Rated Load |
| Light Sensor | IR Filter Phototransistor |
| Power Consumption | ≤ 0.7 watts at 120VAC |
| Cable | UL1015 18AWG*16cm |

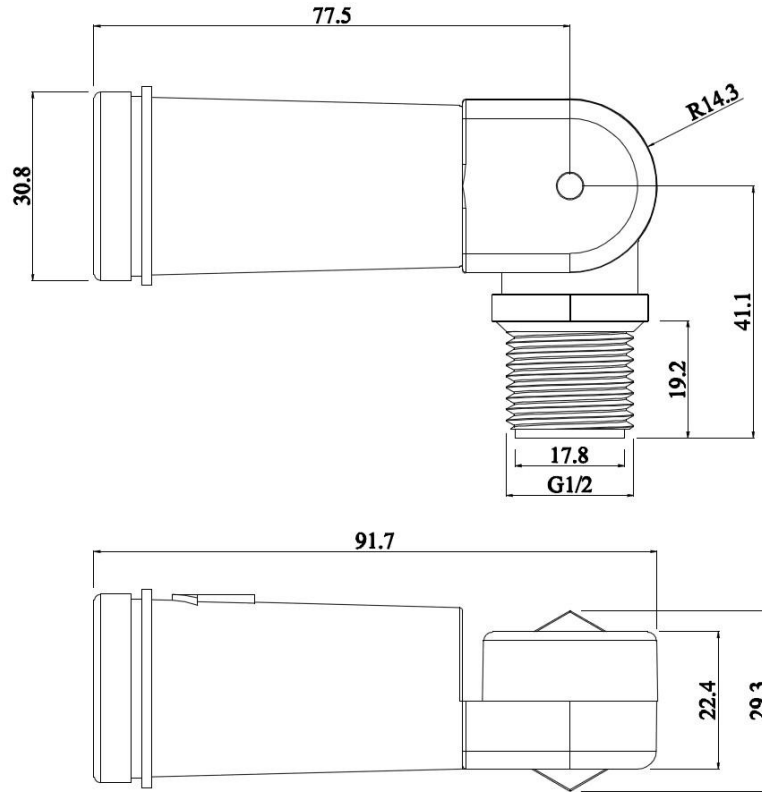


PRODUCT SELECTION INFORMATION

| MODEL | E-BALLAST RATING | ZERO CROSS FUNCTION | FAIL MODE |
|--------|------------------|--|-------------------------------|
| LT310F | 1: 2A 2: 5A | Z: ZERO CROSS BLANK: NONE (*ONLY FOR 5A PRODUCT) | F: Fail Off BLANK: Fail On |

FREQUENTLY ORDERED PART NUMBER: LT310F1F

DIMENSION



WIRING DIAGRAM

