

# LED GARAGE CANOPY

## INSTRUCTION MANUAL

Please read the user manual carefully and follow it. This will help to prevent damage of the product, prolong its lifespan; And it will be helpful for your normal use and maintenance, to ensure that your life safety. Please keep the manual properly.

Part No.	Input Voltage	Frequency	Power	Rated Current(max)
TS-GCP1040-40W-G-H-TCP(XX)	AC120-277V	50/60Hz	28W/35W/40W	0.26A/0.32A/0.37A
TS-GCP1070-70W-G-H-TCP(XX)	AC120-277V	50/60Hz	40W/60W/70W	0.37A /0.55A/0.64A

- ◆ "TCP" represents CCT choice/Wattage adjustable
- ◆ "XX" represents the sensor: PT/BT/BTP/Blank

### WARNINGS

THE LED CANOPY LIGHT MUST BE INSTALLED IN ACCORDANCE WITH ALL APPLICABLE ELECTRICAL CODES BY PERSONS FAMILIAR WITH THE INSTALLATION, OPERATION, AND/OR MAINTENANCE OF THE PRODUCTS AND THE HAZARDS INVOLVED. THE LED CANOPY LIGHT MUST BE INSTALLED WITH UL LISTED LIQUID-TIGHT CONDUIT FITTINGS.

1. Risk of fire or electric shock.
  - 1-1 Make sure the working voltage of LED canopy light is under its rated voltage.
  - 1-2 Make sure the accessories and wires are completed and intact during the installation.
  - 1-3 Installation requires knowledge of electrical systems. For install by qualified electrician only. Do not attempt installation if not qualified.
  - 1-4. This fixture should only be installed in place of existing luminaries that have the construction features and dimensions specified in this manual.
2. Do not expose any wire to edge of sheet metal and/or other sharp objects that may cause damage or abrasion.
3. Do not change existing open holes or create any additional open holes in the fixture or its components during installation.

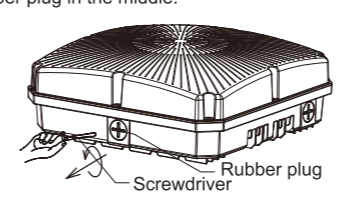
### CAUTIONS

1. Be certain electrical power is OFF before and during installation and maintenance.
  2. To prevent wiring damage or abrasion, do not expose wiring to edges of sheet metal or other sharp objects.
  3. Do not use the LED Canopy Light near heating appliances/ elements.
  4. The input voltage and lamps should be matched after connecting the power line, please make sure the wiring section is insulated.
- LED Canopy Light must be operated within an ambient temperature range of -30°C (-22°F) and 40°C (104°F).  
LED Canopy Light is not intended for use with emergency exits.

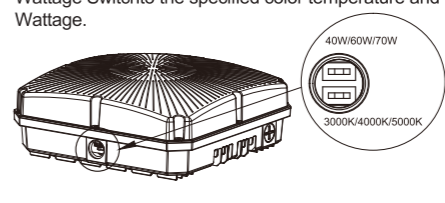
## Installation Instruction

### CCT & WATTAGE SELECTABLE INSTRUCTION

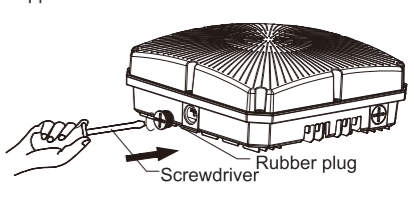
1. Use a large screwdriver to screw out the rubber plug in the middle.



2. Finger through the thread hole to dial the CCT and Wattage Switch to the specified color temperature and Wattage.

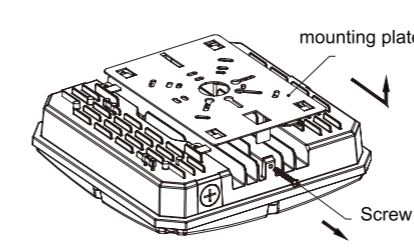


3. Use a large screwdriver to tighten the rubber stopper in the middle.

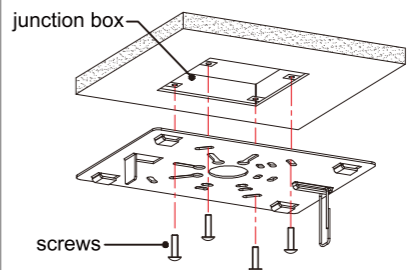


### Installation method I : Ceiling Installation

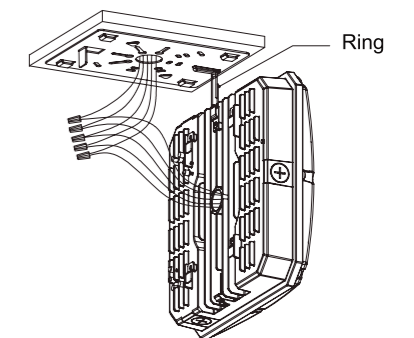
1. Loosen the screw to take off the mounting plate from the lamp.



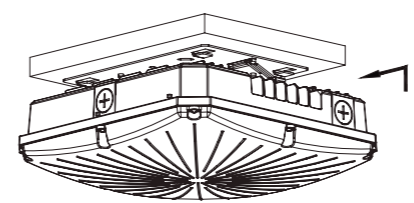
2. Use screws to lock the mounting plate on the embedded junction box.



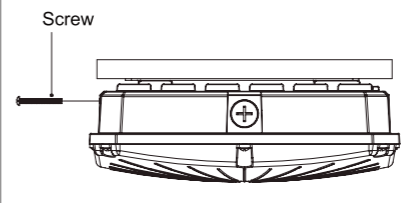
3. Hang the lamp on the ring so as to connect wires with terminal caps.



4. Hook up lamp on the mounting plate.



5. Secure the screw. Installation completed.



**Input/Dimmer      Lamp**

Green —○— Green

White —○— White

Black —○— Black

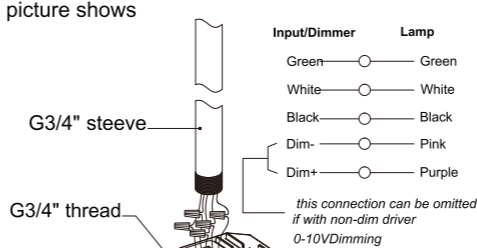
Dim- —○— Pink

Dim+ —○— Purple

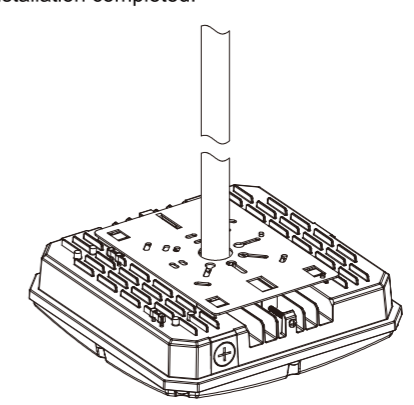
*this connection can be omitted if with non-dim driver 0-10V Dimming*

### Installation method II: Pole-pendent Installation

1. Connecting wires with terminal caps as picture shows



2. Rotating the steeve to make it fixed with lamp. Installation completed.



◆ The Installation must be carried out by a qualified electrician. ◆