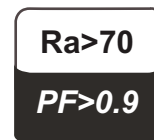
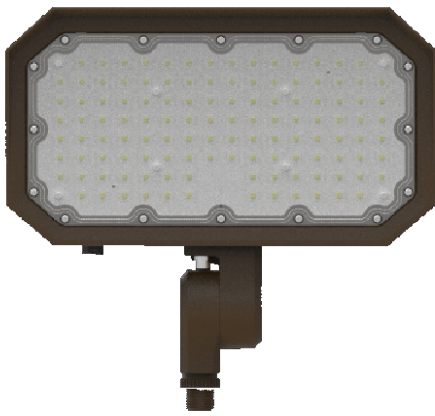


LED FLOOD LIGHT



Features

Delicate appearance design

Unique rectangular octagonal design endows the FL08 floodlight a sense of strength. Requirements of different customers can be met through professional optical lens. Black and bronze housing are both good choices according to clients' choices.

Good heating dissipation

Using the material of ADC 12 aluminum alloy as radiator, the LED pin temperature does not exceed 65°C.

Low light attenuation

Within 1000hrs, the light decay is less than 3%, while the traditional attenuation of incandescent lamp is at least 30%. It can light up to 8 years and is equipped with a 5-year warranty.

High waterproof rate

Using structural waterproofing, the FL08 floodlight has a high waterproof rate of IP65 and is suitable for outdoor use.

High consistency on lamp direction

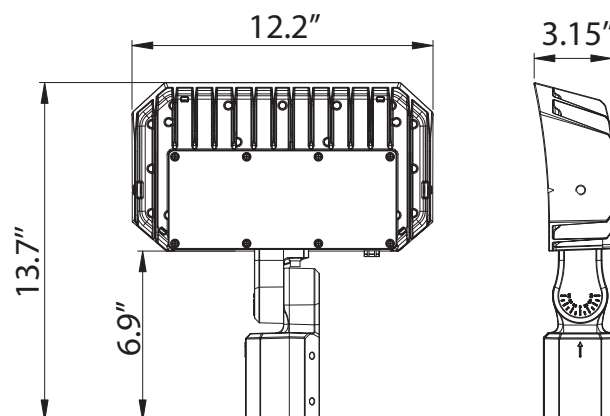
Precise scale on the bracket ensures consistent mounting angle.

Product Dimension



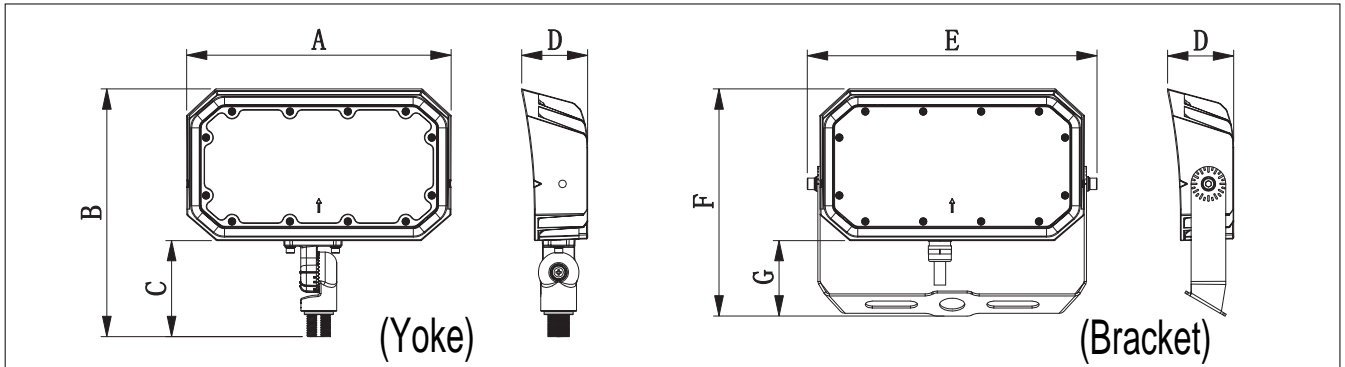
- TS-SL0810X-100W-XXX-XX-XXK(XXX)
- TS-SL0810X-90W-XXX-XX-XXK(XXX)
- TS-SL0807X-70W-XXX-XX-XXK(XXX)

(Slip-fitter)





- TS-FL0810X-100W-XXX-XX-XXK(XXX)
- TS-FL0810X-90W-XXX-XX-XXK(XXX)
- TS-FL0807X-70W-XXX-XX-XXK(XXX)
- TS-FL0805X-50W-XXX-XXK(XXX)
- TS-FL0803X-30W-XXX-XXK(XXX)
- TS-FL0802-15W-XXX-XXK



- X can be " A " or " B ", " A "=Isolated driver, " B "=Non-Isolated driver;
- XXX can be " 80*110°, 60°, 90°";
- XX can be " HV " or " LV ", " HV "=High voltage driver, " LV "=Low voltage driver;
- XXK can be any number for color temperature: 40K, 50K, 57K ;
- (XXX)can be blank=no sensor function, " PTC "=Photo Control.

ITEM	A	B	C	D	E	F	G
FL08-100W							
FL08-90W	12.2"	11.7"	4.8"	3.15"	13.0"	10.9"	4.1"
FL08-70W							
FL08-50W	9.0"	8.4"	2.2"	2.3"	9.8"	7.7"	2.6"
FL08-30W	7.0"	7.2"	3.3"	2.0"	7.8"	6.5"	2.5"
FL08-15W	5.1"	6.1"	3.3"	1.8"	5.7"	4.3"	1.5"

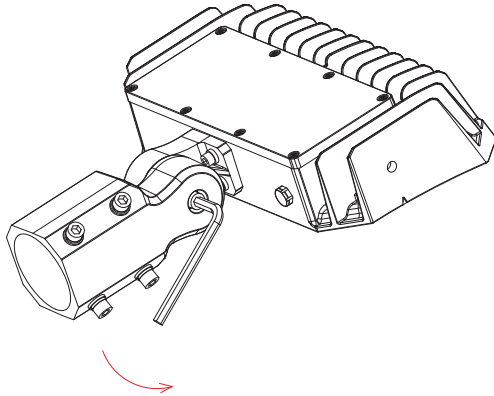
Lighting Parameters ■ ■ ■

Lamp Bead Model	LUMILEDS3030					
Power	100W	90W	70W	50W	30W	15W
LED Quantity	120	120	88/80	54	30	15
Certificates	UL,CUL					
Lighting Angle	80*110°					
Lighting Efficiency	DLC PREMIUM					
Color Rendering Index	Ra>70					
Working Temperature	-40 °F ~+113 °F					
Storage Temperature	-40 °F ~+158 °F					
Waterproof Rate	IP65					
Life span	>50000H					
Lamp shell	BROWN / BLACK					
Accessories options	Photocell					

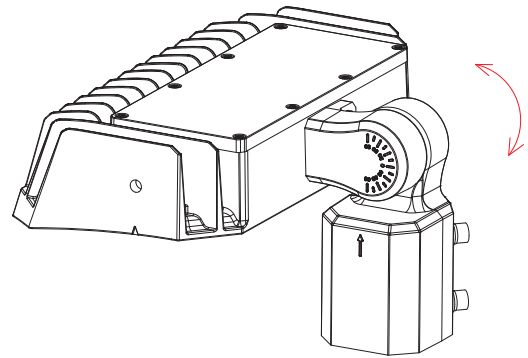
Installation Instruction (Slip-fitter)



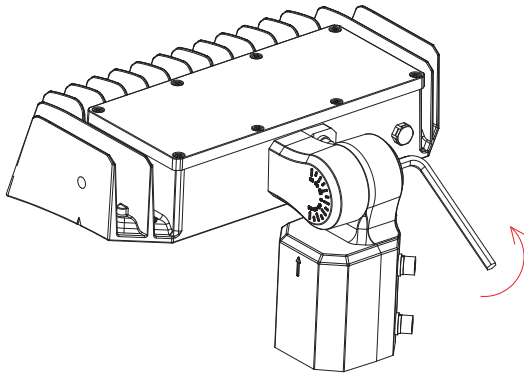
1. Loosen the screw used to fix the upper and the lower mount in rotating shaft by Hexagon wrench.



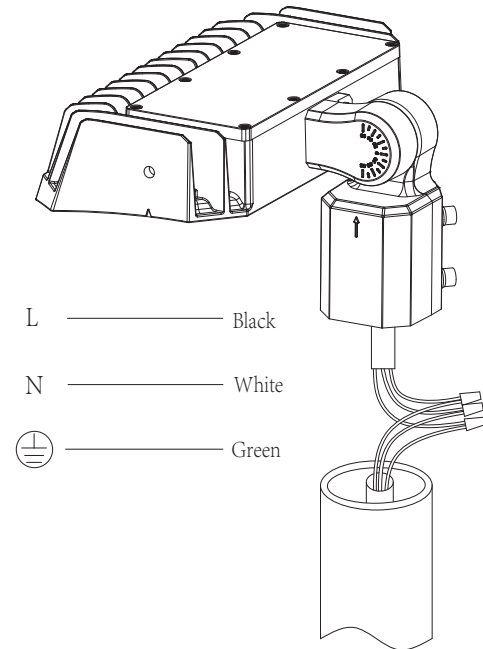
2. Rotate the bracket to proper Angle.



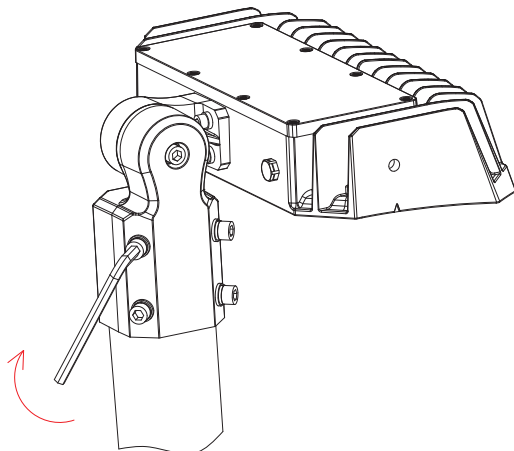
3. Lock the upper and lower brackets by Hexagon wrench.



4. Connect wires.

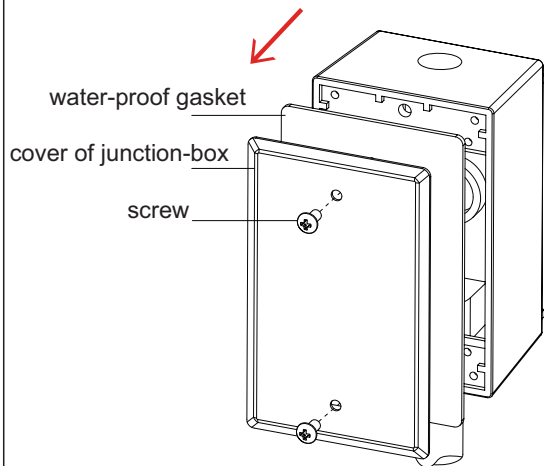


5. Fix the bracket to lamp pole by hexagonal wrench.

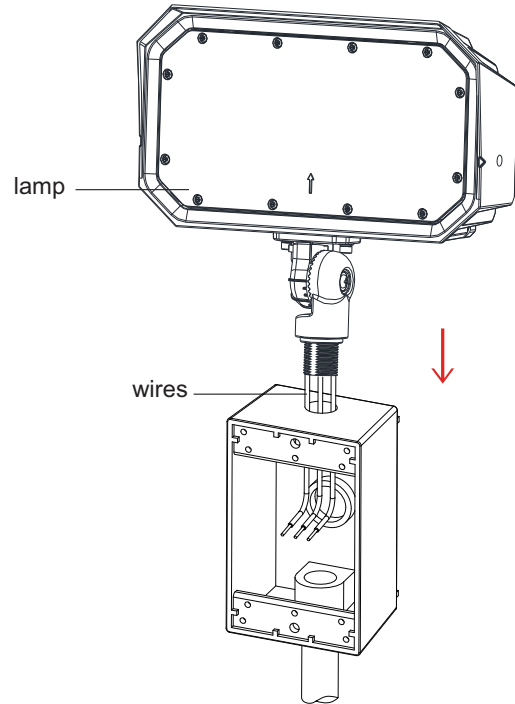


Notice: The maximum diameter of lamp pole is $\phi 60$,
lamp adjustable angle is 0-90°.

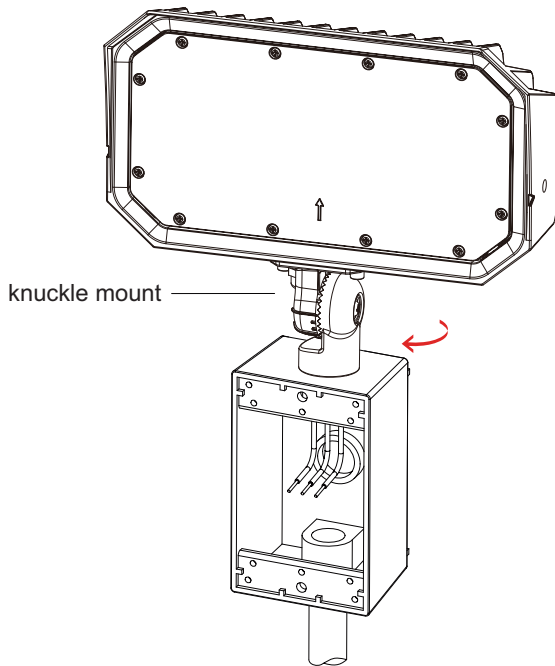
1. Use screw key to open the junction-box.



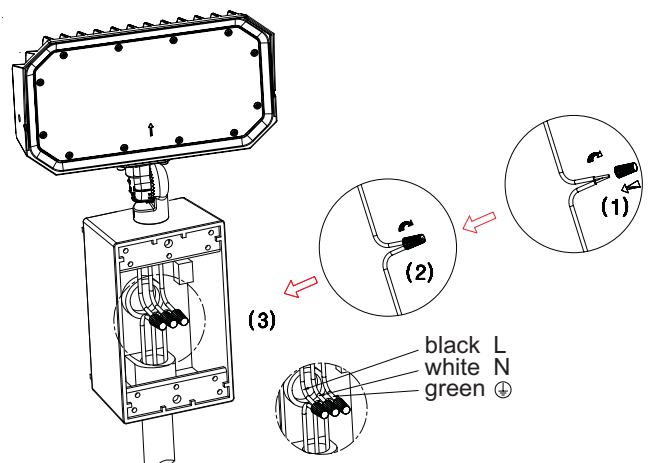
2. Put the wires of lamp into the junction-box.



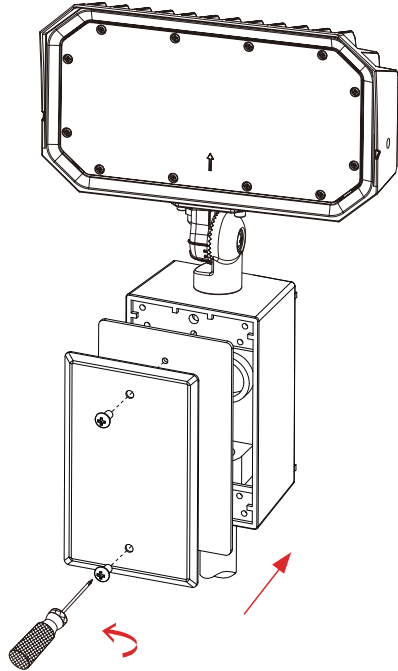
3. Screw up the knuckle mount into junction-box.



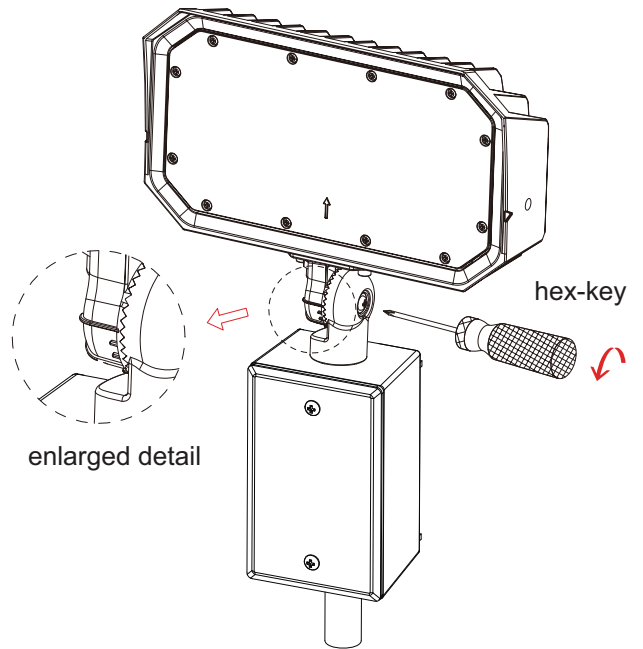
4. Use wire-nuts to connect the wires of lamp and junction-box



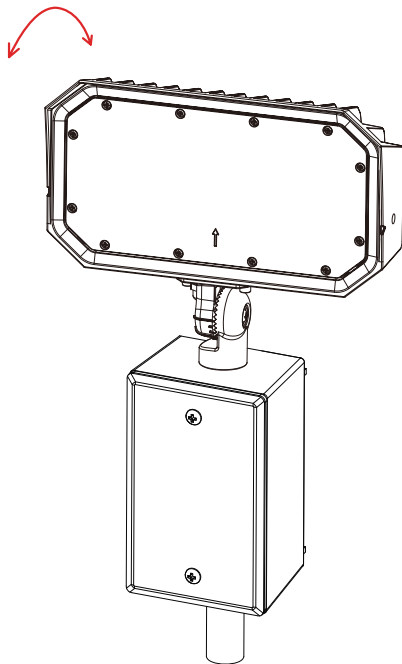
5. lock the junction-box with screw key



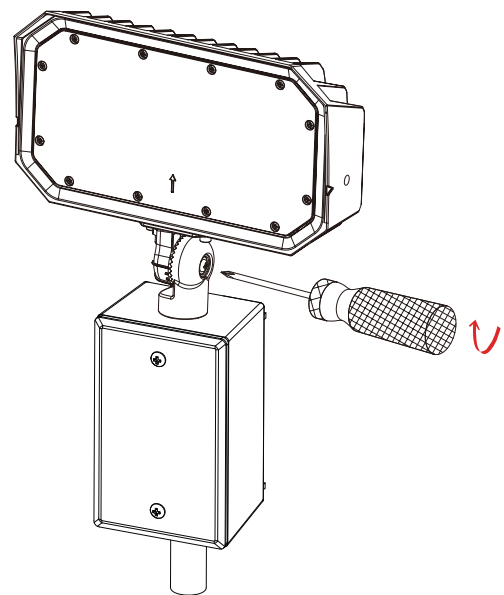
6. Use hex-key to screw off the hex-screw in knuckle mount.



7. Adjust the lamp into suitable angle.

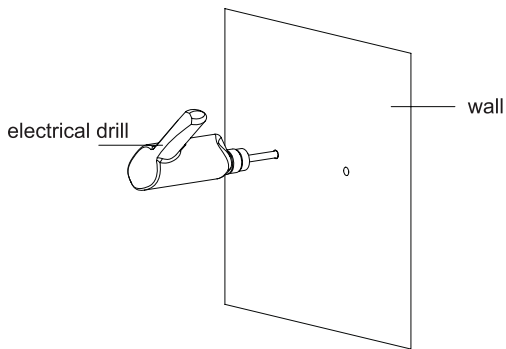


8. Use hex-key to screw up the hex-crew. Installation completed.

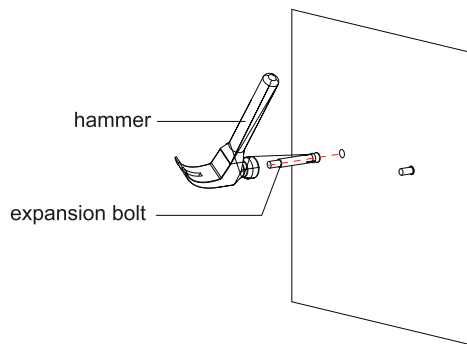


Installation Instruction (Bracket)

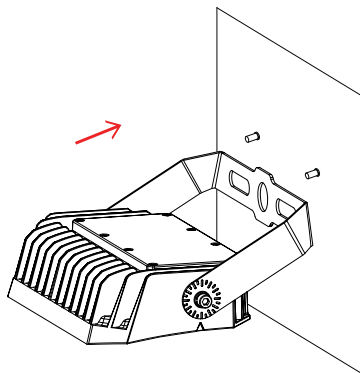
1. Mark the position of the fixing holes with fold light bracket, then drill the fixing holes



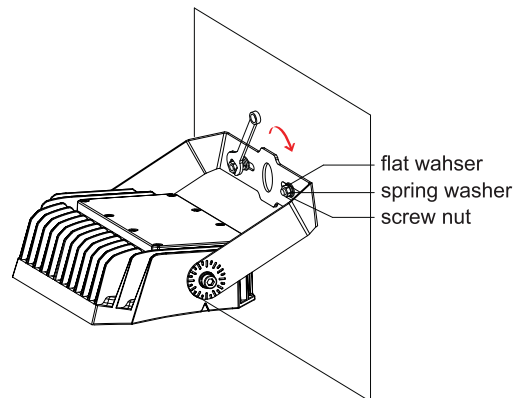
2. Drive in the bolts to the pre-drilled holes with thread outside, as the below pic indicate.



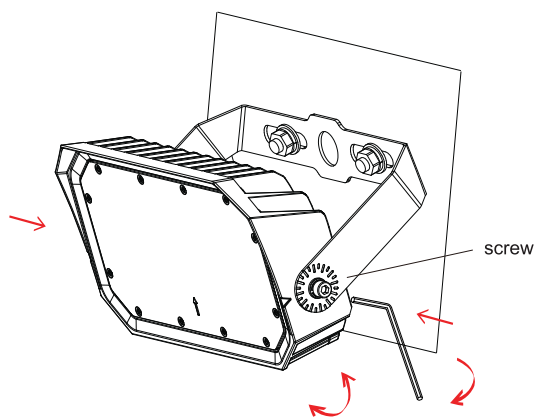
3. Make the bracket face tightly to the wall through the thread.



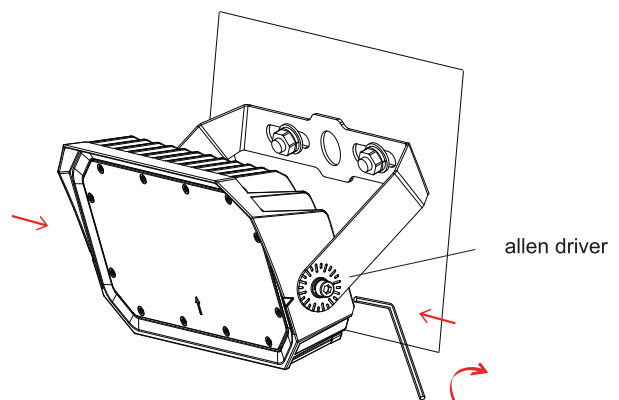
4. Fasten the screw nut clockwise with provided hardware by wrench.



5. Rotate the light to the proper angle and fasten the screws.



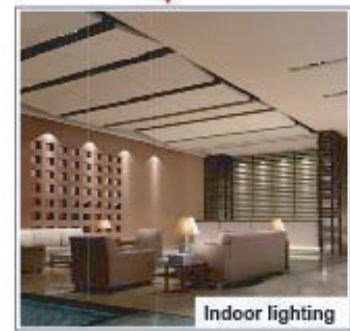
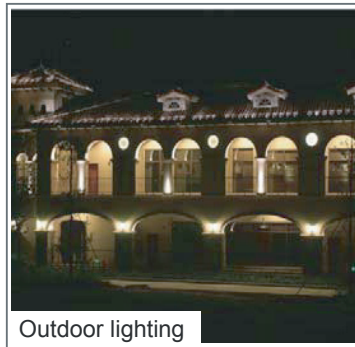
6. Fasten the screw both sides with allen driver.



Packing /weight (Do not pass drop test)

Power	Inner box (L*W*H)	Outer box (L*W*H)	Qty/Ctn (pcs)	N.W/pcs (lbs)	G.W/Ctn (lbs)	Type
100W 90W 70W	14.8"*5"*11.9" (377*127*303mm)	26"*15.4"*12.7" (660*392*325mm)	5	6.83 (90W/100W) 6.17 (70W)	41.44 (90W/100W) 38.2 (70W)	Bracket
	14.05"*5"*15.7" (357*127*399mm)	26"*14.6"*16.5" (660*372*420mm)	5	7.71 (90W/100W) 7.05 (70W)	45.85 (90W/100W) 42.55 (70W)	Slip-fitter
	14.05"*5"*13.6" (357*127*346mm)	26"*14.6"*14.4" (660*372*366mm)	5	6.5 (90W/100W) 5.88 (70W)	39.68 (90W/100W) 36.59 (70W)	Yoke
50W	9.45"*2.6"*8.8" (240*67*224mm)	18.3"*14.2"*10.2" (465*360*260mm)	10	2.86	36.82	Yoke
	10.3"*2.6"*8" (262*67*204mm)	16.7"*14.2"*11.1" (425*360*282mm)	10	3.08	38.8	Bracket
30W	7.48"*2.4"*7.6" (190*60*193mm)	15.6"*12.8"*16.2" (395*325*412mm)	20	1.63	44.75	Yoke
	8.23"*2.4"*6.7" (209*60*171mm)	17.1"*12.8"*14.5" (435*325*368mm)	20	1.85	49.38	Bracket
15W	5.59"*2.2"*6.46" (142*55*164mm)	17.5"*11.8"*13.97" (445*300*355mm)	30	1.12	46.96	Yoke
	6.18"*2.2"*4.68" (157*55*119mm)	12.9"*11.8"*15.2" (330*300*385mm)	30	0.99	42.99	Bracket

Product applications



Note

1. Only persons qualified for electrical work should carry out the electrical work;
2. Please cut off the power supply in any abnormal situation;
3. Please clean the floodlight shell termly;
4. Please do not wipe with water or caustic solution;
5. Be sure to ground the fixture;
6. Be careful when using and storing;
7. Avoid high pressure.