

LED SHOEBOX LIGHT

Light distribution electronic adjustable



5Years
warranty

Ra>70/80
PF>0.9

AC100-277V
AC120-347V
AC277-480V

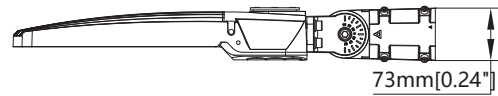
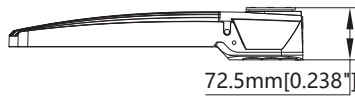
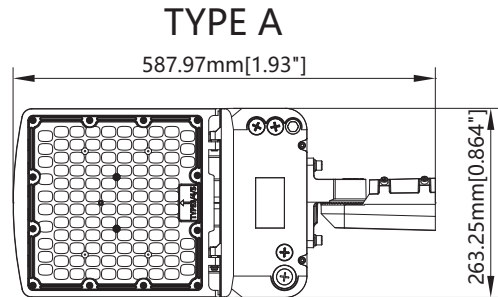
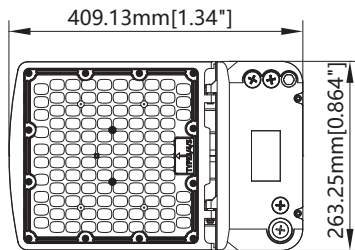


Product Features

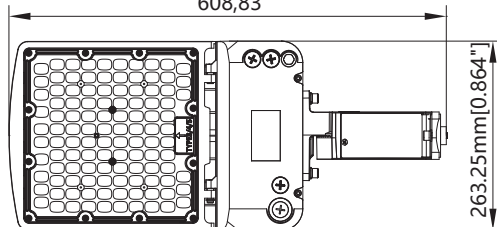
1. High efficiency LED Driver, the wide range input voltage AC120-277V, AC120-347V, AC277-480V, Surge protection: 6KV.
2. LED high luminous efficiency and long life.
3. Cast aluminium design, better cooling and easy replacement, light quality
4. Excellent optical design, greatly improve the light utilization and evenness.
5. Abandoning the traditional replaceable lens system, it adopts a more advanced dial-switch adjustment mechanism for angle control.
6. Photocell Control, Motion sensor, PIR sensor Available (Option).
7. Sensors can distinguish natural and non-natural light

Product Dimension

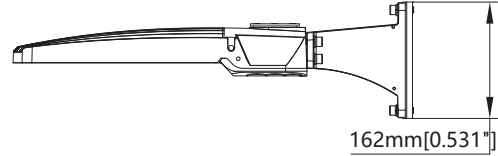
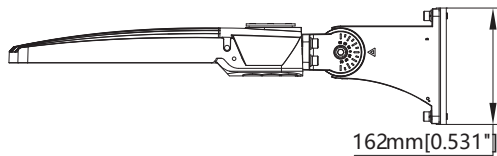
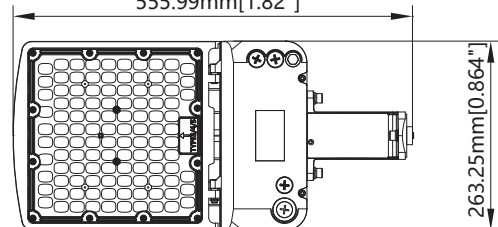
SL1210-100W SL1110-100W-MV/ HV
SL1215-150W SL1115-150W-MV/HV



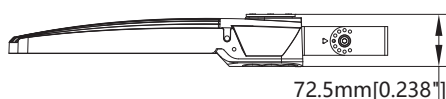
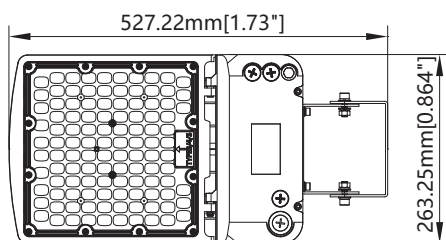
TYPE B
608,83



TYPE C
555.99mm [1.82\"/>

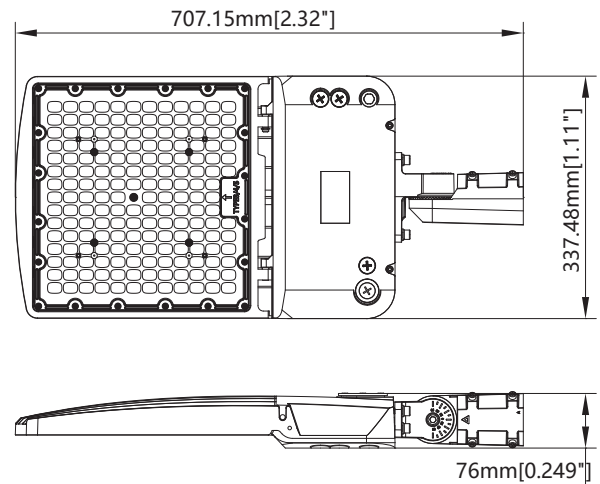
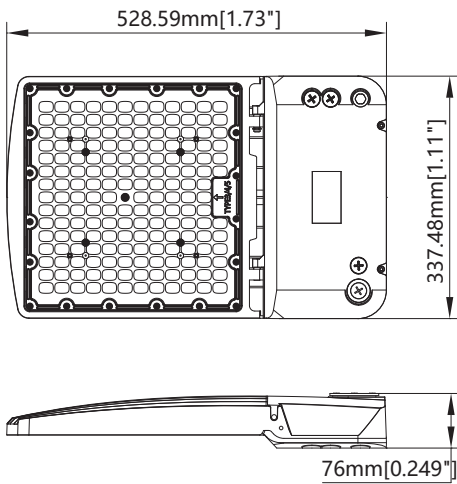


TYPE T

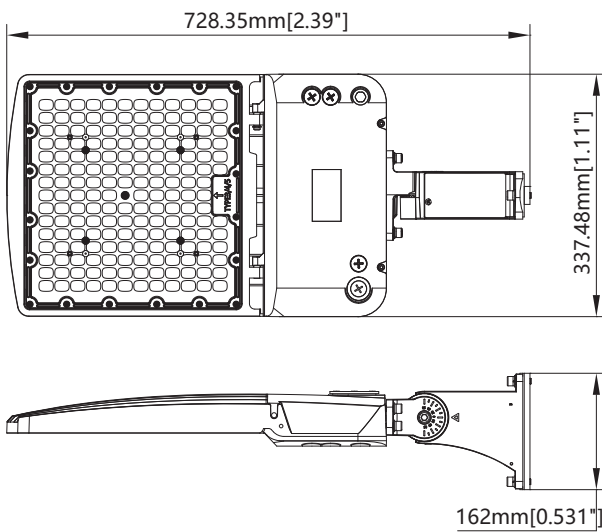


SL1220-200W SL1120-200W-MV/HV
 SL1224-240W SL1124-240W-MV/HV
 SL1230-300W SL1130-300W-MV/HV

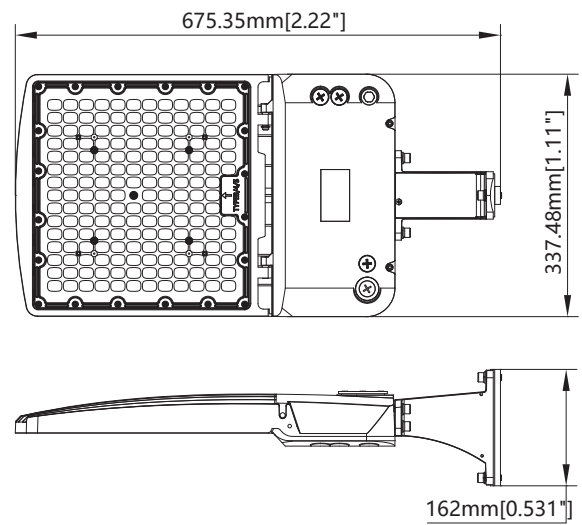
TYPE A



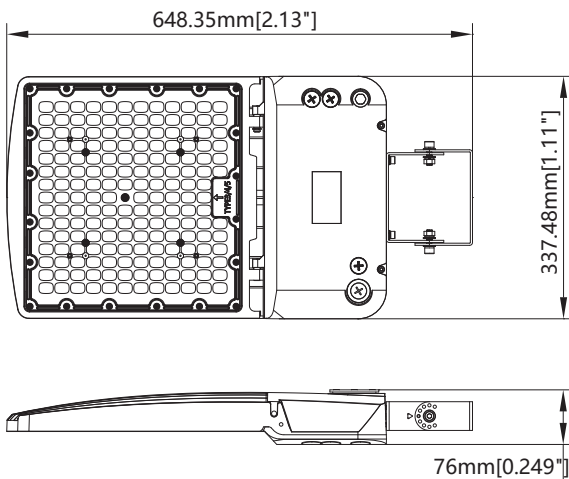
TYPE B



TYPE C



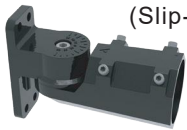
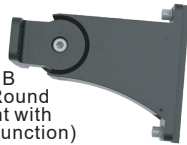


TYPE T



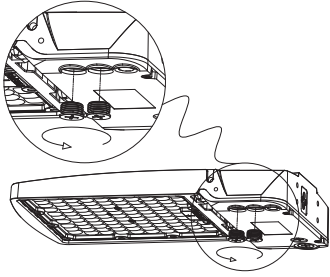
Lighting Parameters

Input Voltage	Wattage Selectable	CCT Selectable	Light distribution electronic adjustable	Efficacy
AC120-277V	150-100-70W	30-40-50K	T3-T4-T5	130~140LPW
AC120-277V	200-150-100W	30-40-50K	T3-T4-T5	130~140LPW
AC120-277V	240-200-150W	30-40-50K	T3-T4-T5	130~140LPW
AC120-277V	300-240-200W	30-40-50K	T3-T4-T5	130~140LPW

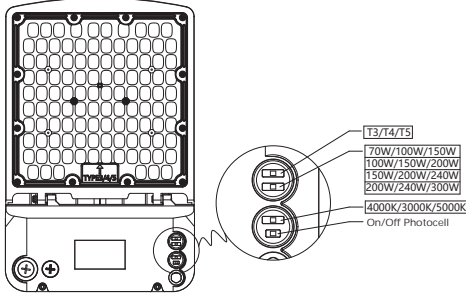
- ◆ where XX can be "SL" or "FL": A can T3 T4 T5 adjustable;
 XXX can be any number for color temperature:40K,50K,57K,65K,TCP ,TC ,TP;
 TCP which means adjusting CCT and power,TC which means adjusting CCT;TP which means adjusting power;
 (XXX) can be blank = no sensor function, P|R= PIR sensor,PTC = Photocontrol
 MS = Microwave sensor.PiP = PIR sensor and Photocontrol, MSP = Microwave sensor;
 and Photocontrol, PR = PR Motion Sensor, PSC = Photocontrol socket and shorting cap;
 BT = Bluetooth Motion Sensor. BTP=Bluetooth motion sensor and Photocontrol.

Lamp Bead Model	2835		
Certificates	UL, DLC		
Lighting Angle	TYPE III - TYPE IV - TYPE V		
Lighting Efficiency	130~140Lm/W		
Color Rendering Index	Ra>70 or 80		
Working Temperature	-40°F ~+113°F / -40°C ~ +45°C		
Storage Temperature	-40 °F ~+158 °F / -40°C ~ +70°C		
Environment Location	WET LOCATIONS (IP65)		
Life span	>50000H		
Lamp shell	Brown		
Accessories options	Photocell;Shorting cap;Surge protector		
	PIR senser;Motion sensor		
	Waterproof cover plate of photocell hole		
Accessories mounting brackets	TYPE A (Slip-fitter) 	TYPE B (Square/Round pole mount with slip-fitter function) 	TYPE C (Square/Round pole mount) 
	TYPE T (Trunnion) 		

1. Take of the waterproof rubber cover from the wattage-box.



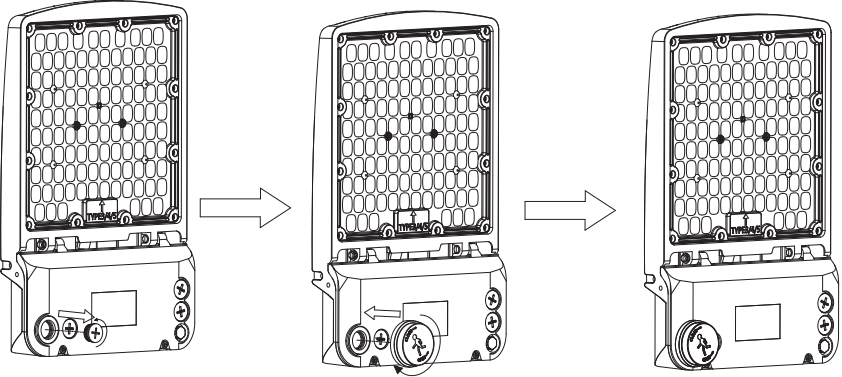
2. Select the Wattage , CCT, Angle Type, by using the slide switch.



Tip: The above content is for reference only, please take the real thing as the criterion

Notes: How to install the Motion Sensor.

First, unscrew the plug from the sensor base, then screw in the sensor.



Extended function ■ ■ ■



- (Cover plate, Photocell, Shorting cap)
- (Surge, lighting arrester)
- (Respirator)
- (PIR sensor, Motion sensor)

Packing/Weight

The fixture and bracket will be packed separately.

Fixture	Outer box (L*W*H)	Qty/Ctn (pcs)	N.W/pcs (lbs/Kg)	G.W/pcs (lbs/Kg)	Remarks
100W	17.13**11.42**4.8" 435*290*122mm	1	5.29/2.4	7.05/3.2	1.0M cable
150W		1	5.51/2.5	7.28/3.3	
240W	23.94**14.88**5.2" 608*378*132mm	1	6.5/2.95	8.49/3.85	
240W		1	10.14/4.6	12.35/5.60	
300W		1	10.14/4.6	12.35/5.60	

Safety Information

- Using the standard working voltage: AC100~277V/120-347V/277-480V, 50/60Hz, do not exceed.
- Be sure the power supply is turned off before installation.
- Switch off power of the mains supply or the connection lead respectively before doing any works.
- Please note waterproof, dustproof, electricity prevention and shockproof for the external power wires.
- Directly fix bolts on the installation stem through the hole on the mounting bracket.
- Be sure the connection between the wires is in good condition when install the lamps, beware of leakage.
- Please read the specification carefully before installation.
- The complete installation must be handled by an electrical expert.