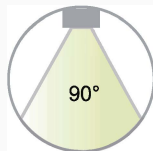


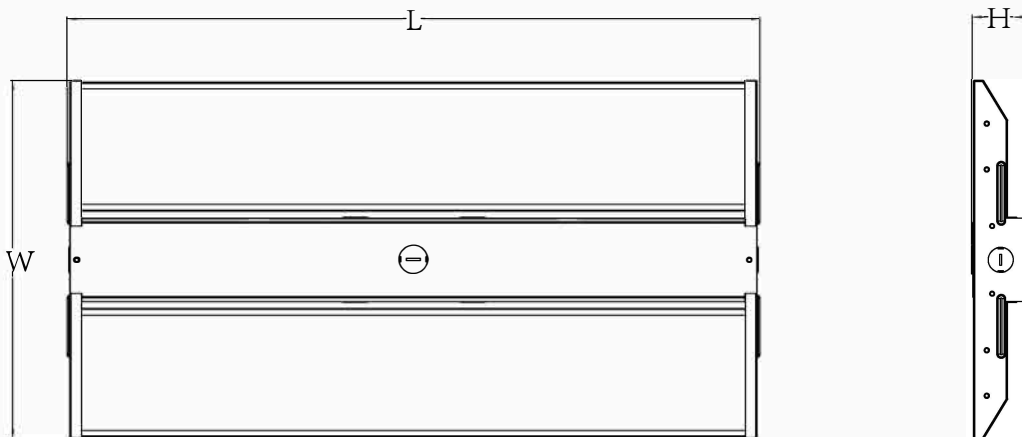
# LED Linear High Bay



## Product Features

1. ETL & FCC listed; With LM79 & LM80;
2. 2FT:110W-220W available; 4FT:225W-300W available;
3. Power and CCT can be adjusted in three levels;
4. High luminous efficacy 135lm/w &150lm/w;
5. High quality driver; 1-10V dimming; Flicker free;
6. PF >0.90, driver efficiency >90%; THD<20%;
7. Installation: chain Mounting & Pedant Mounting;
8. Suitable for dry/damp location;
9. Designed for warehouses, gymnasiums, and industrial spaces;
10. Five years warranty.

## Product Dimension

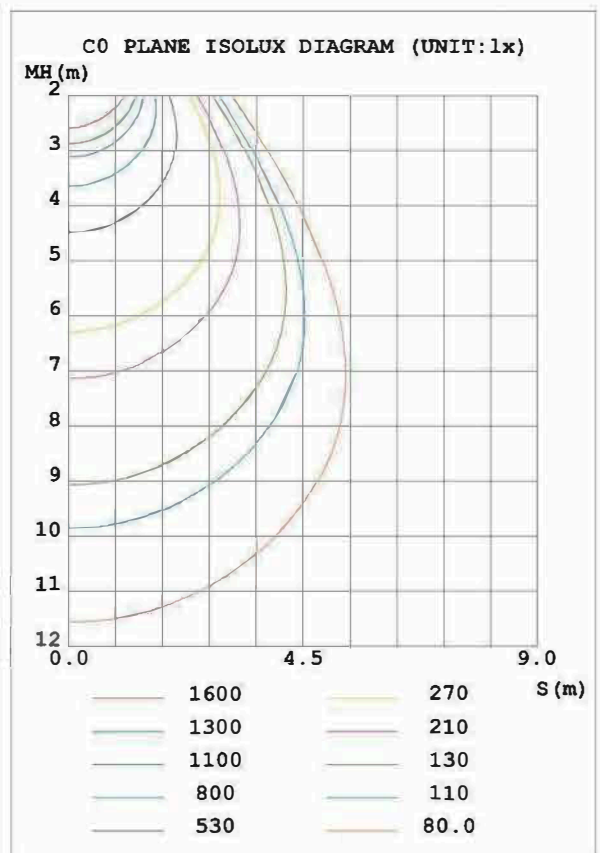
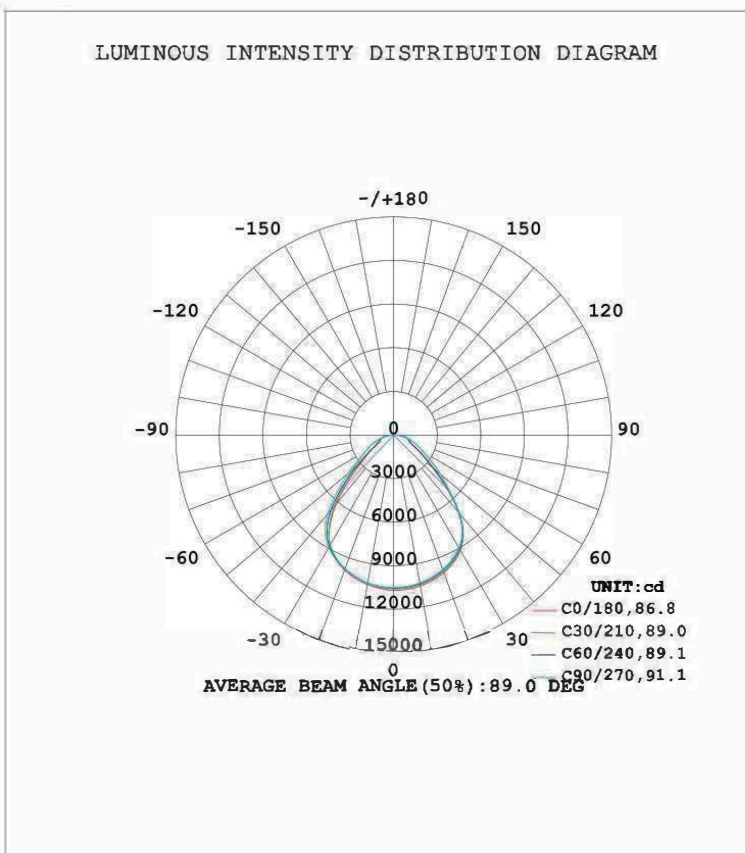


Model	L×W×H
TS-LHB5-2FT110W-TCP	626*323*51mm/24.65*12.8*2"
TS-LHB5-2FT165W-TCP	
TS-LHB5-2FT225W-TCP	
TS-LHB5-4FT250W-TCP	1166*323*51mm/45.9*12.8*2"
TS-LHB5-4FT300W-TCP	

## Specification

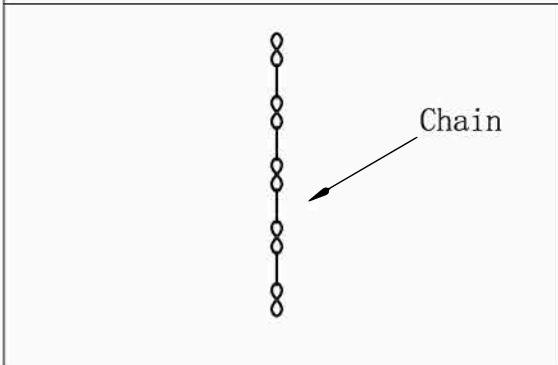
Part No.	Power	Input Voltage	Luminous Flux	Luminous Efficacy	CCT	Viewing Angle	Ra	PF	Warranty
TS-LHB5-2FT110W-TCP	110W/95W/80W	AC100-277V	15400lm/13300lm/11200lm	150lm/W	4000K/5000K	90°	>80	>0.9	5 Years
TS-LHB5-2FT165W-TCP	165W/120W/90W		23100lm/16800lm/12600lm						
TS-LHB5-2FT225W-TCP	225W/165W/120W		31500lm/23100lm/16800lm						
TS-LHB5-4FT250W-TCP	250W/225W/200W		35000lm/31500lm/28000lm						
TS-LHB5-4FT300W-TCP	300W/225W/165W		40500lm/31500lm/23100lm						

## Testing Report

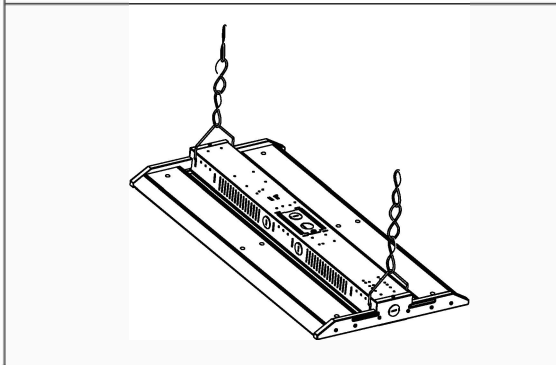


## Chain Installation

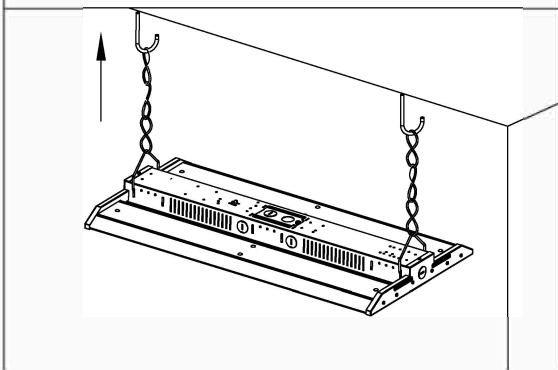
1. Hook the chain as below pic.



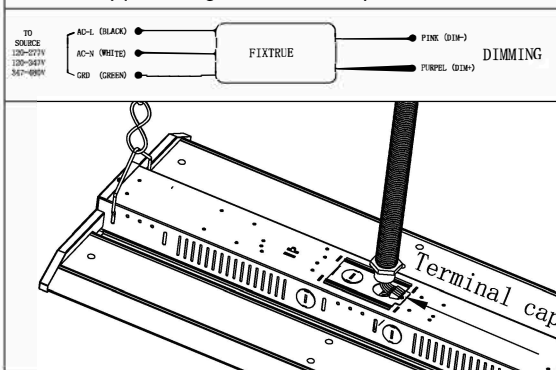
2. Insert the hook into the slotted holes, as shown below.



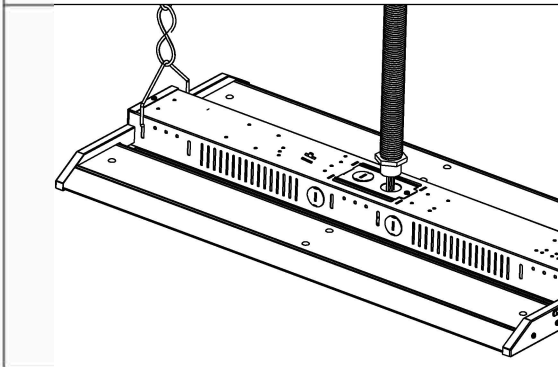
3. Hook up the chain on the ceiling anchor.



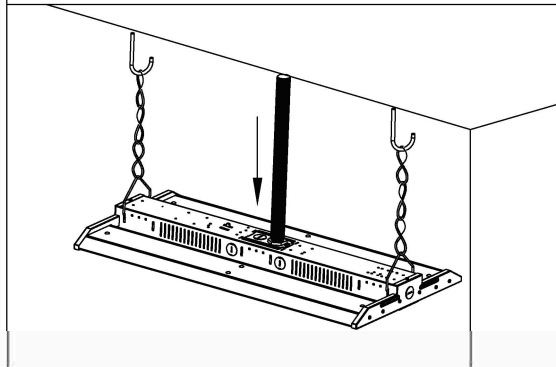
4. Turn off power, and make wiring connections with terminal cap (see wiring instruction below).



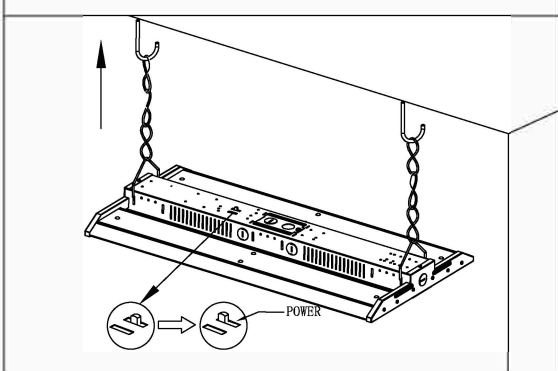
5. Insert the terminal cap and wires into the driver box.



6. Insert the wire terminal joint to the wire entry. Installation completed.

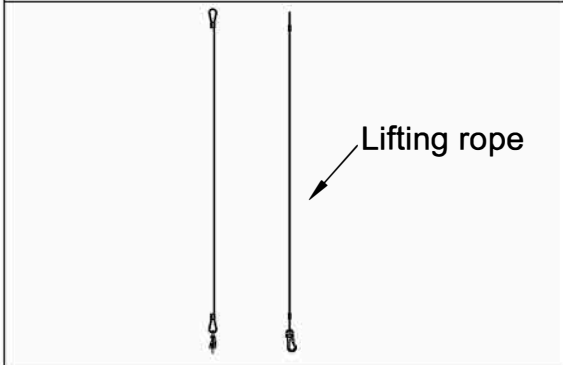


7. CCT/Power Changing.

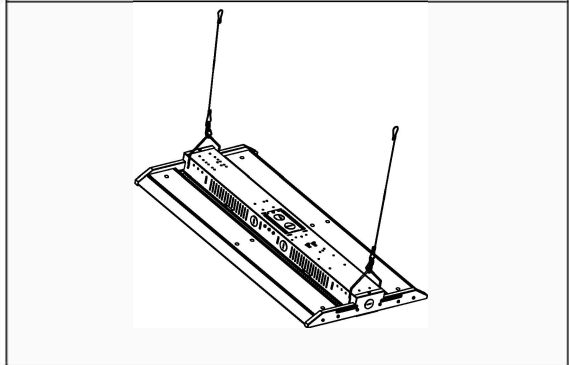


## Lifting Rope Installation

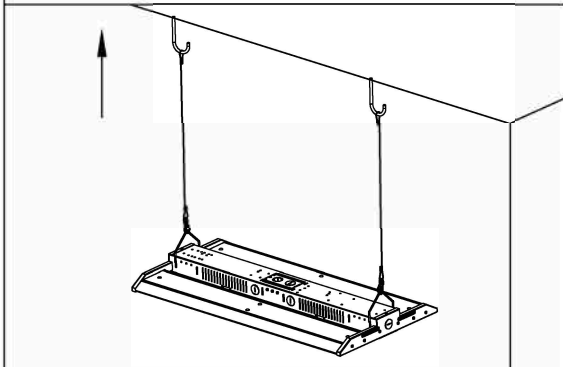
1. The hanging rope is shown below.



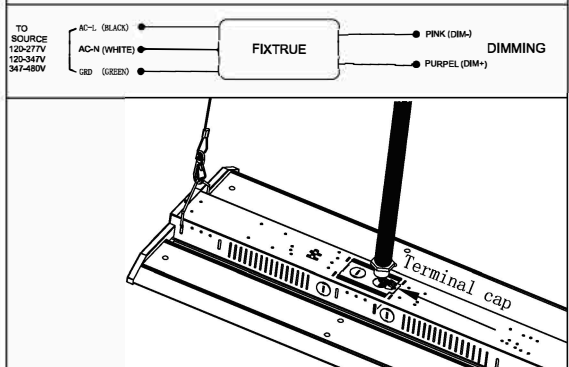
2. Insert the hook into the slotted holes, as shown below.



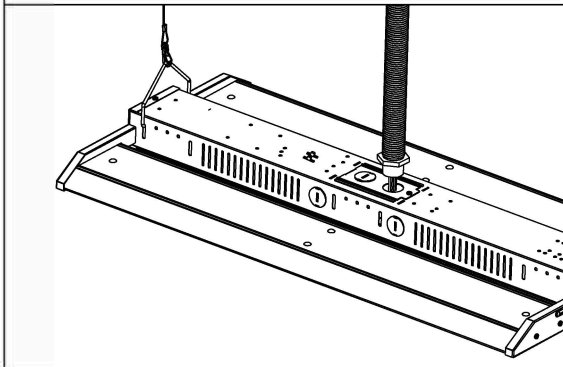
3. Hook the other end of Lifting rope to the ceiling anchor.



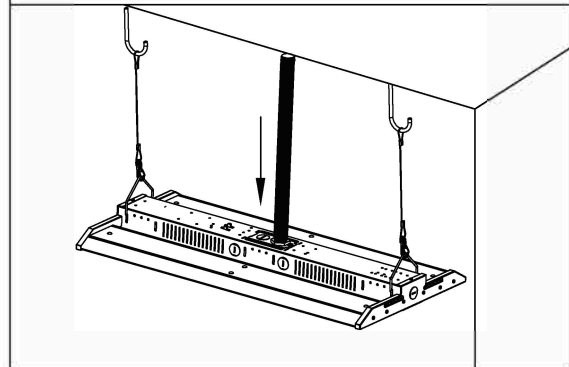
4. Turn off power, and make wiring connections with terminal cap (see wiring instruction below).



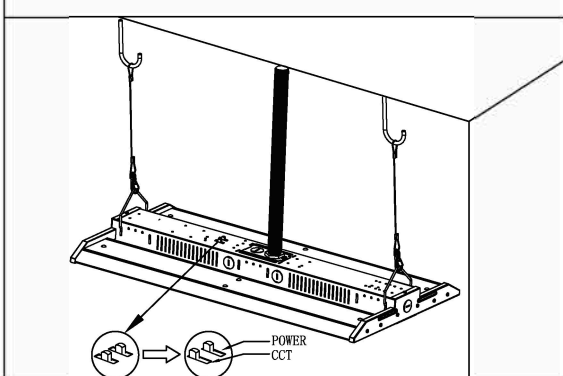
5. Insert the terminal cap and wires into the driver box.



6. Insert the wire terminal joint to the wire entry. Installation completed.



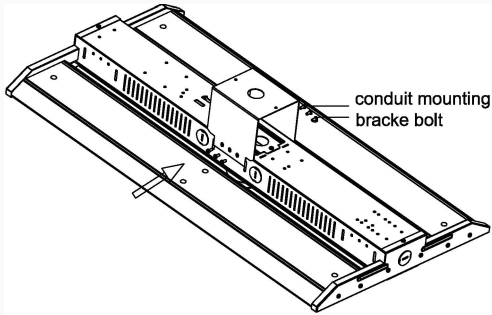
7. CCT/Power Changing.



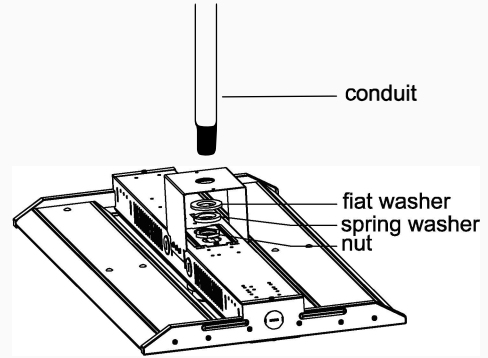
## Pole Mounting Installation Instruction



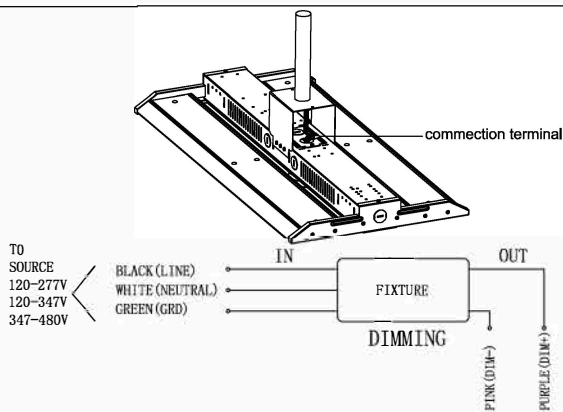
1. Screw the conduit mounting bracket to the fixture.



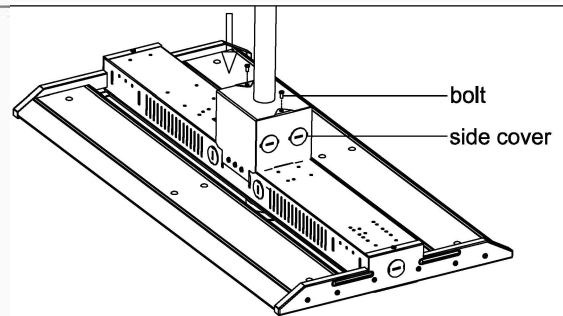
2. Lock the conduit with flat washer+ spring washer+nut on the mounting bracket.



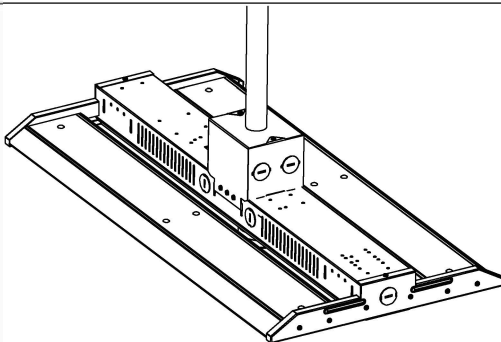
3. Wiring according to the circuit diagram.



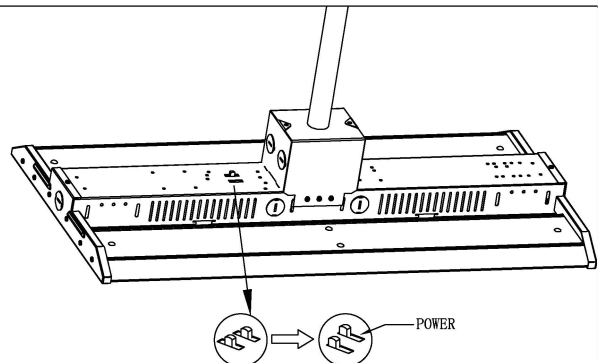
4. Screw the side covers to conduit mounting bracket.



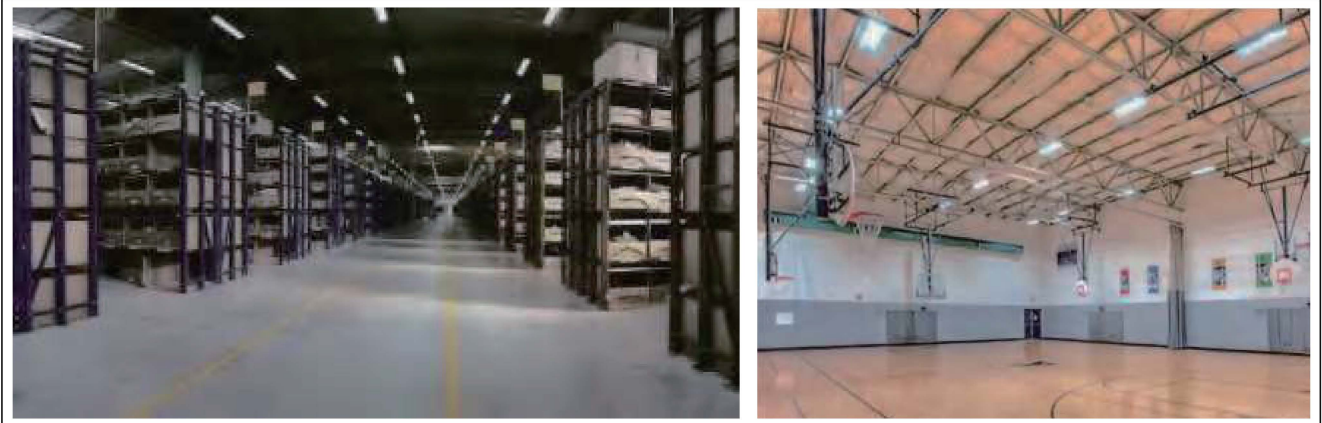
5. Pole Mounting installed.



6. CCT/Power Changing.



## Applications



## Packing /weight

Part No.	Outer box (L*W*H)	Qty/Ctn (pcs)	N.W/pcs (lbs/Kg)	G.W/Ctn (lbs/Kg)
TS-LHB5-2FT110W-TCP	660*360*320mm	4	7.1/3.2	32.6/14.8
TS-LHB5-2FT165W-TCP	660*360*320mm	4	7.1/3.2	32.6/14.8
TS-LHB5-2FT225W-TCP	660*360*320mm	4	7.1/3.2	32.6/14.8
TS-LHB5-4FT250W-TCP	1260*360*190mm	2	13.6/6.2	31.7/14.5
TS-LHB5-4FT300W-TCP	1260*360*190mm	2	13.6/6.2	31.7/14.5

## Note

- 1.The installation and maintenance must be completed by electricians or professionals.
- 2.Please cut off the power before installation and maintenance.
- 3.The thermally insulating material is not allowed to cover the fixture.
- 4.Please keep away from the corrosive substance, and keep the fixture dry and clean.
- 5.Working temperature: -40°F~113°F(-40°C~45°C), storage temperature: -40°F~158°F(-40°C~70°C).